



12/12/2018 10:47:18 AM

DATE FRANCISCO J. MORENO-ORAMA
LICENSED ARCHITECT
#AR99008

I HEREBY CERTIFY THAT THESE PLANS HAVE BEEN PREPARED TO THE BEST OF MY KNOWLEDGE, IN ACCORDANCE WITH THE OF THE 2017 FLORIDA BUILDING CODE, 6TH EDITION, AND THE 2014 NATIONAL ELECTRIC CODE.

PERMIT DRAWINGS FOR:

PALMETTO UMC ANNEX BUILDING

5601 16TH AVE EAST CHURCH
PALMETTO, FL 34221

OWNER: FAMILY OF GOD UNITED METHODIST

ADDRESS: 5601 16TH AVE EAST PALMETTO, FL 34221

TELEPHONE: (352) 729-6055

EMAIL: PALMETTOUMC@HOTMAIL.COM

OWNER'S REPRESENTATIVE:
FRANK COSEGLIA, CHAIRMAN LEADERSHIP COUNCIL

REVISIONS

NO	DATE	DESCRIPTION

PROJECT NO: Project Number

FILE:

DRAWN BY: Author CHK'D BY: Checker

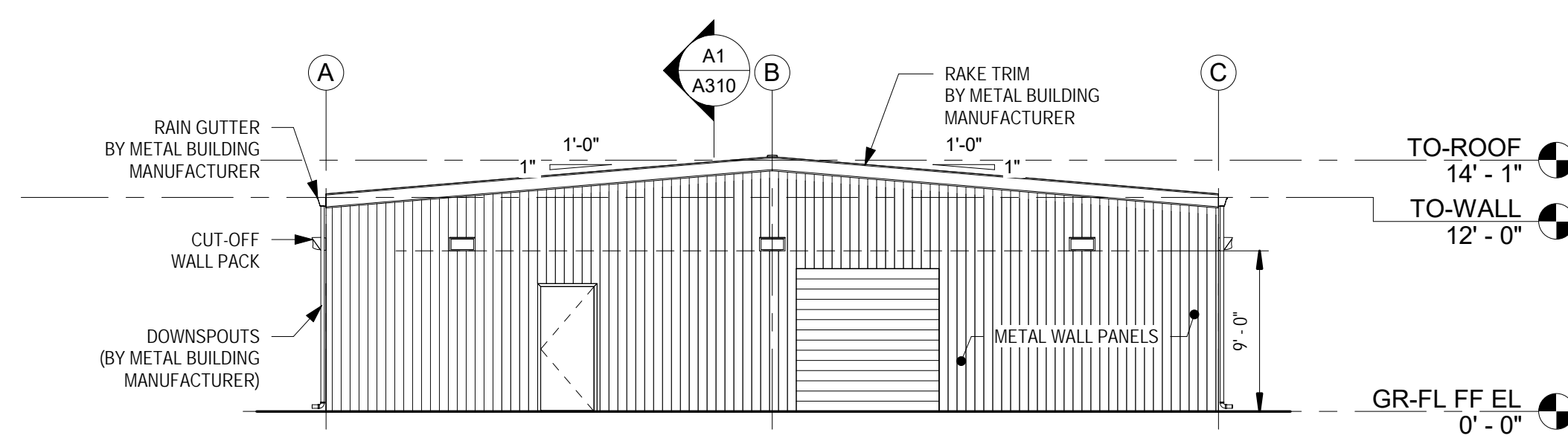
© 2018 ENGINEERING GREAT IDEAS, INC.

SHEET TITLE:

BUILDING ELEVATIONS

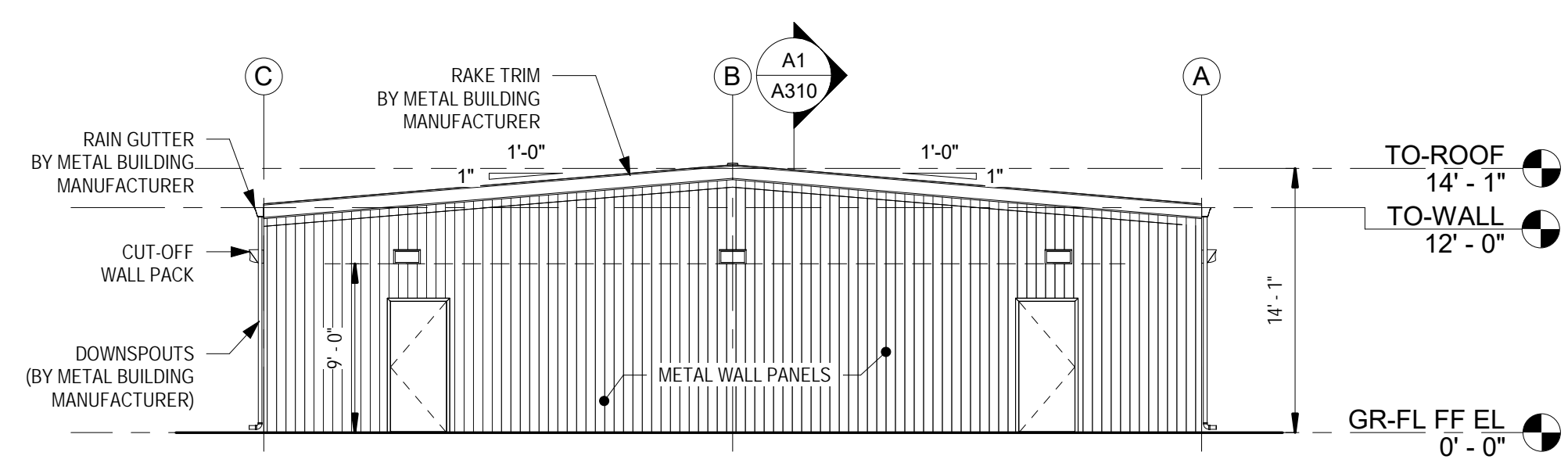
SHEET COUNT: OF

SHEET IDENTIFICATION:



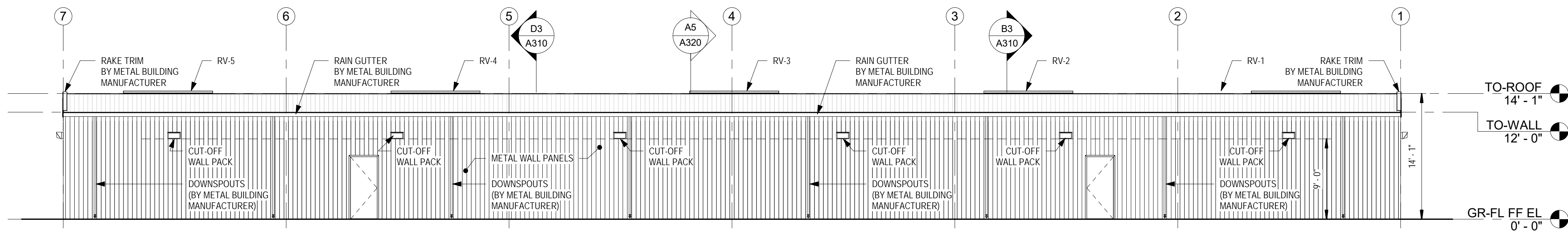
D1 WEST ELEVATION

SCALE: 1/8" = 1'-0"



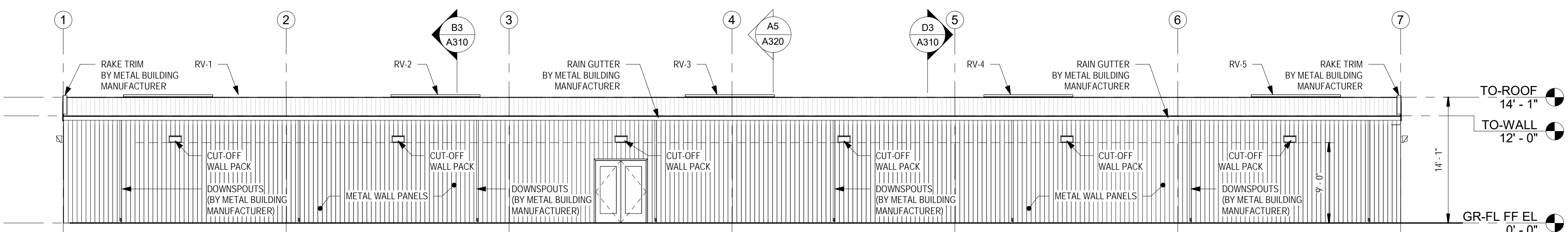
D4 EAST ELEVATION

SCALE: 1/8" = 1'-0"



B1 NORTH ELEVATION

SCALE: 1/8" = 1'-0"



A1 SOUTH ELEVATION

SCALE: 1/8" = 1'-0"