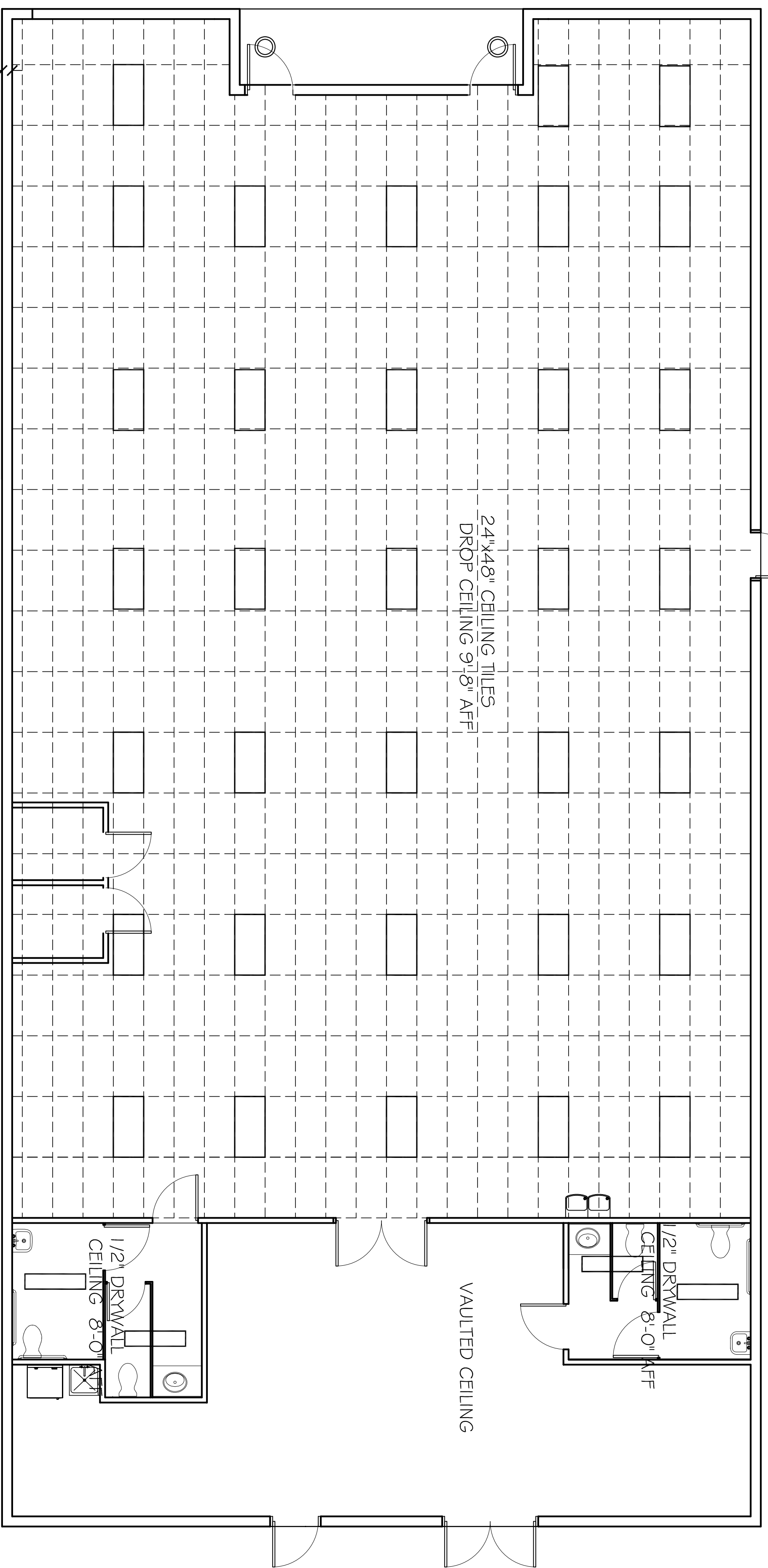
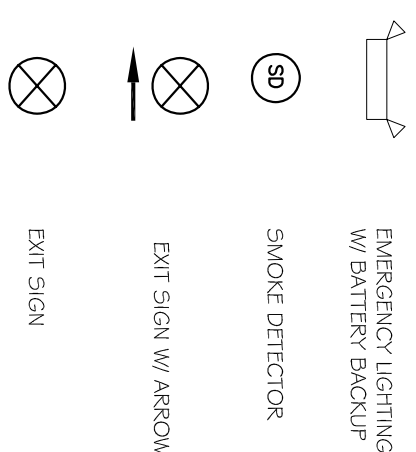
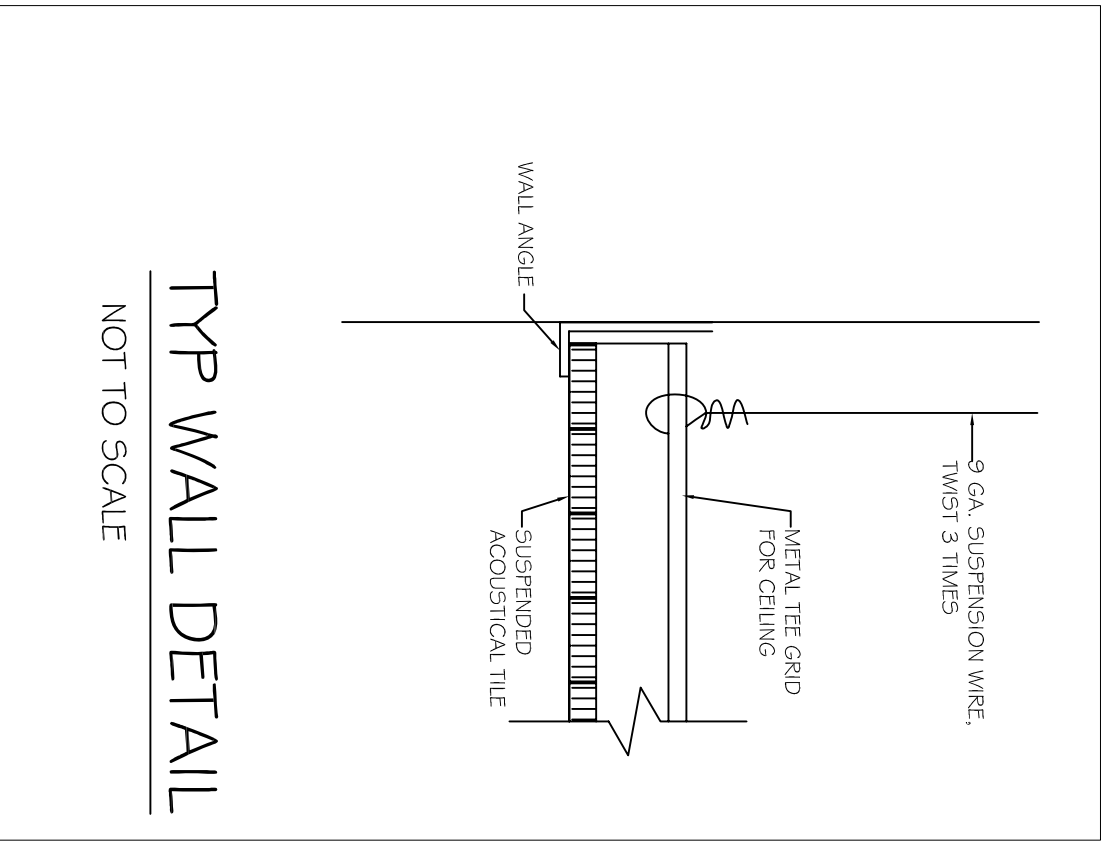
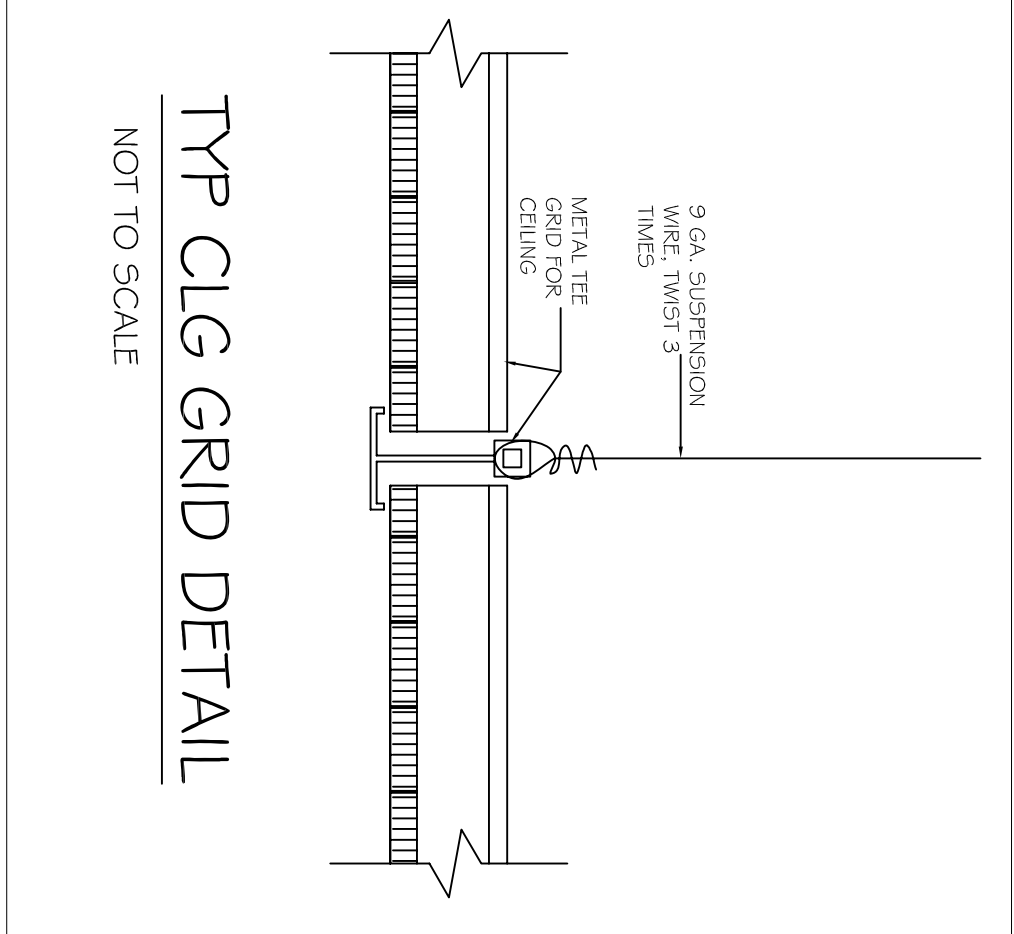
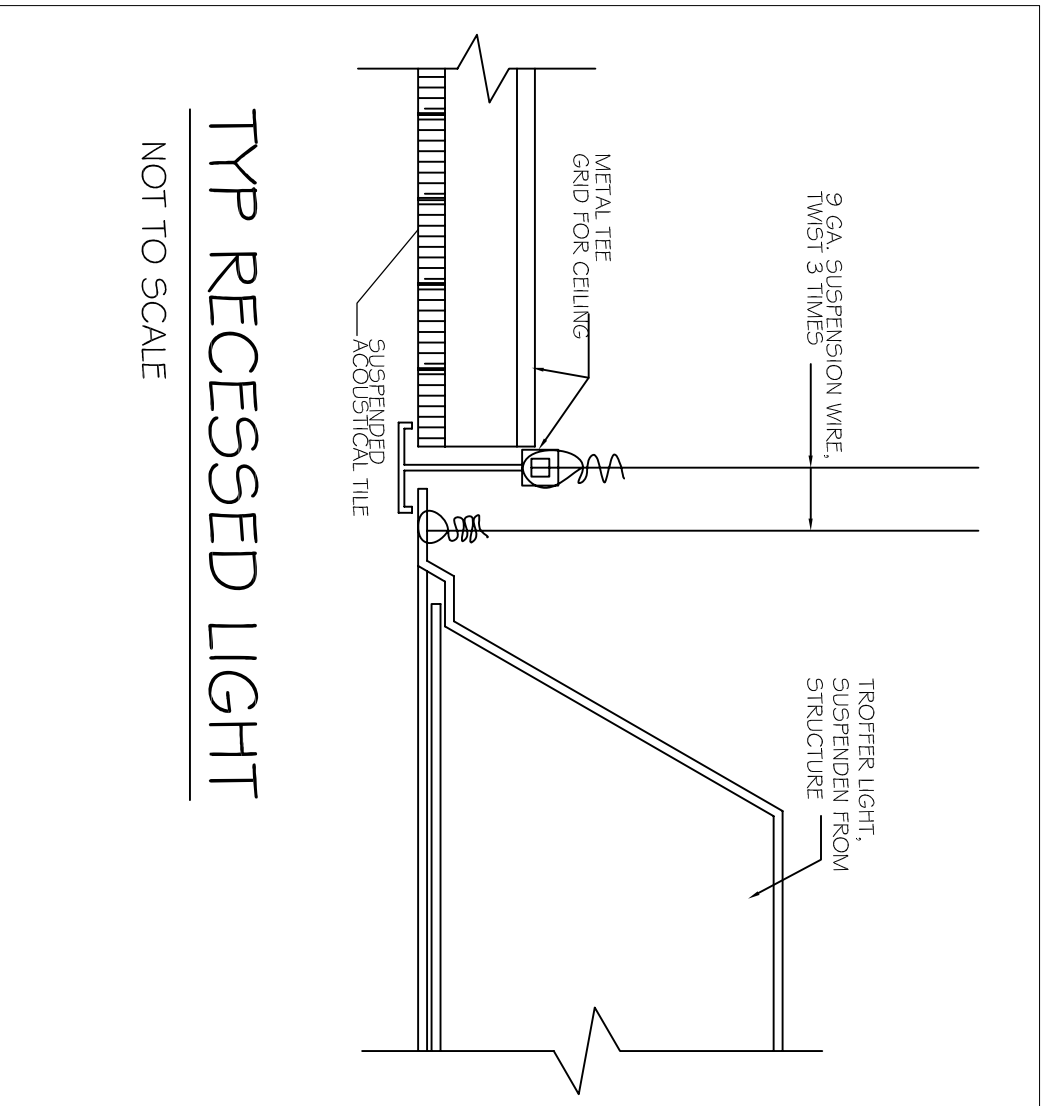


EGRESS/INGRESS PLAN
SCALE 3/16"=1'



REFLECTING CEILING PLAN
SCALE 3/16"=1'



Revisions	Date

WHERE AS EVERY ATTEMPT HAS BEEN MADE TO INCLUDE ALL DETAILS AND PERTINENT INFORMATION ON THE DRAWINGS, CONTRACTORS ARE RESPONSIBLE TO VERIFY ALL DIMENSIONS, DETAILS, AND INFORMATION PROVIDED ON THE DRAWINGS. CONTRACTORS SHALL NOTIFY DESIGN LIMITED, IN WRITING FOR ANY OMISSION, OR DISCREPANCY ON THE DRAWINGS, PRIOR TO THE COMMENCEMENT OF ANY WORK.

CONTRACTOR:
DEESLINE
CONSTRUCTION
CGC 056682

TITLE:
**EGRESS PLAN,
REFLECTING
CEILING PLAN &
DETAILS**

OWNER AND ADDRESS:
**FIRST UNITED
METHODIST CHURCH**
333 10th AVENUE WEST
PALMETTO, FL

BENSON ENGINEERING, INC.
ENGINEERS PLANNERS SURVEYORS
522 9TH STREET WEST, SUITE 2 BRADENTON, FL 34205
Phone: (941) 792-6161 Fax: (941) 746-5335

RAISED SEAL
DATE: _____
JULIAN A. AGUILAR, N.
8550 59th AVE. DR. W.
APT D205
BRADENTON, FL 34210

SCALE SHOW: _____
JOB # 212035
DATE 12/05/12
DRW. BY JAB
SHEET 5
OF 9 SHEETS