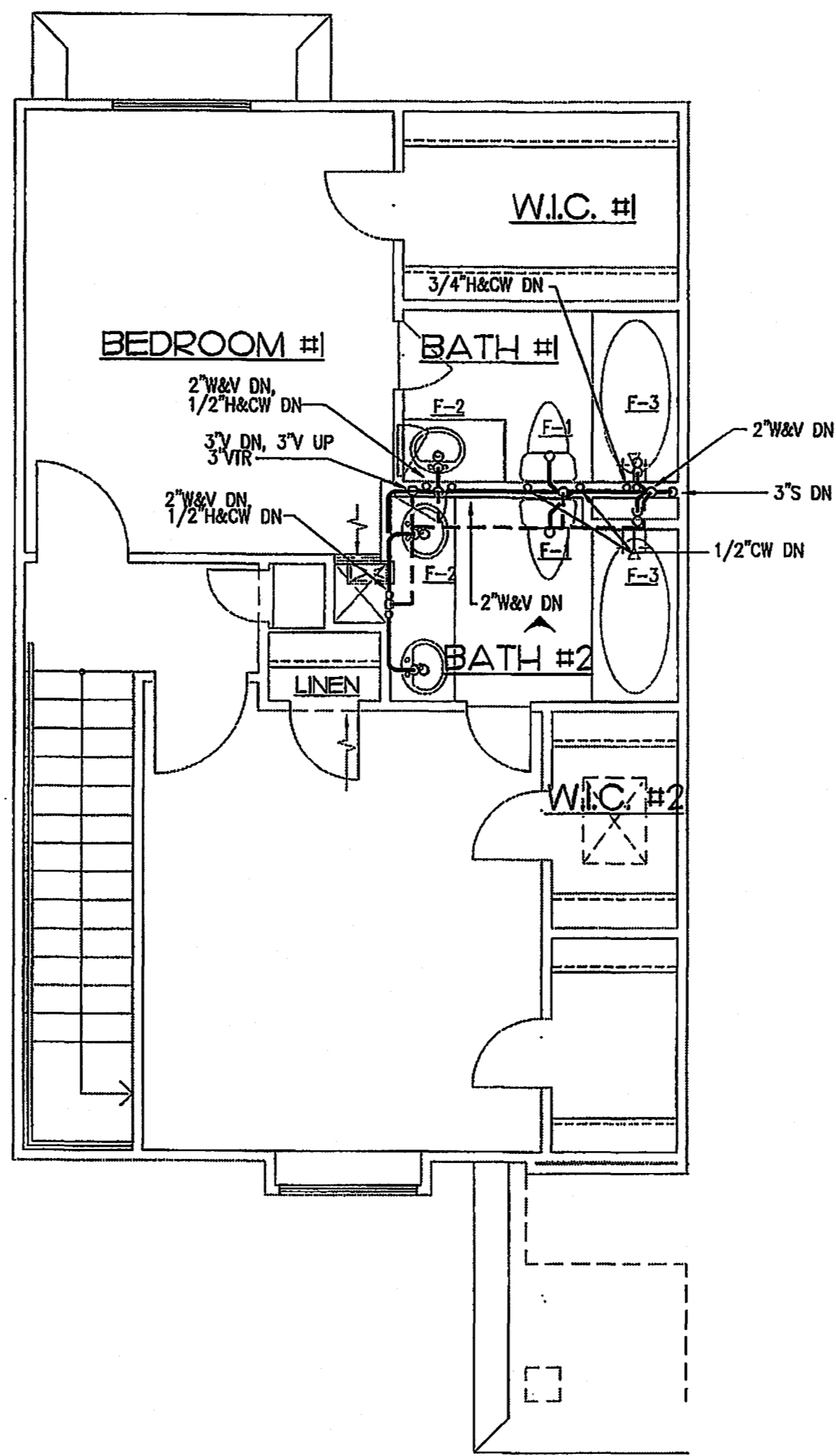
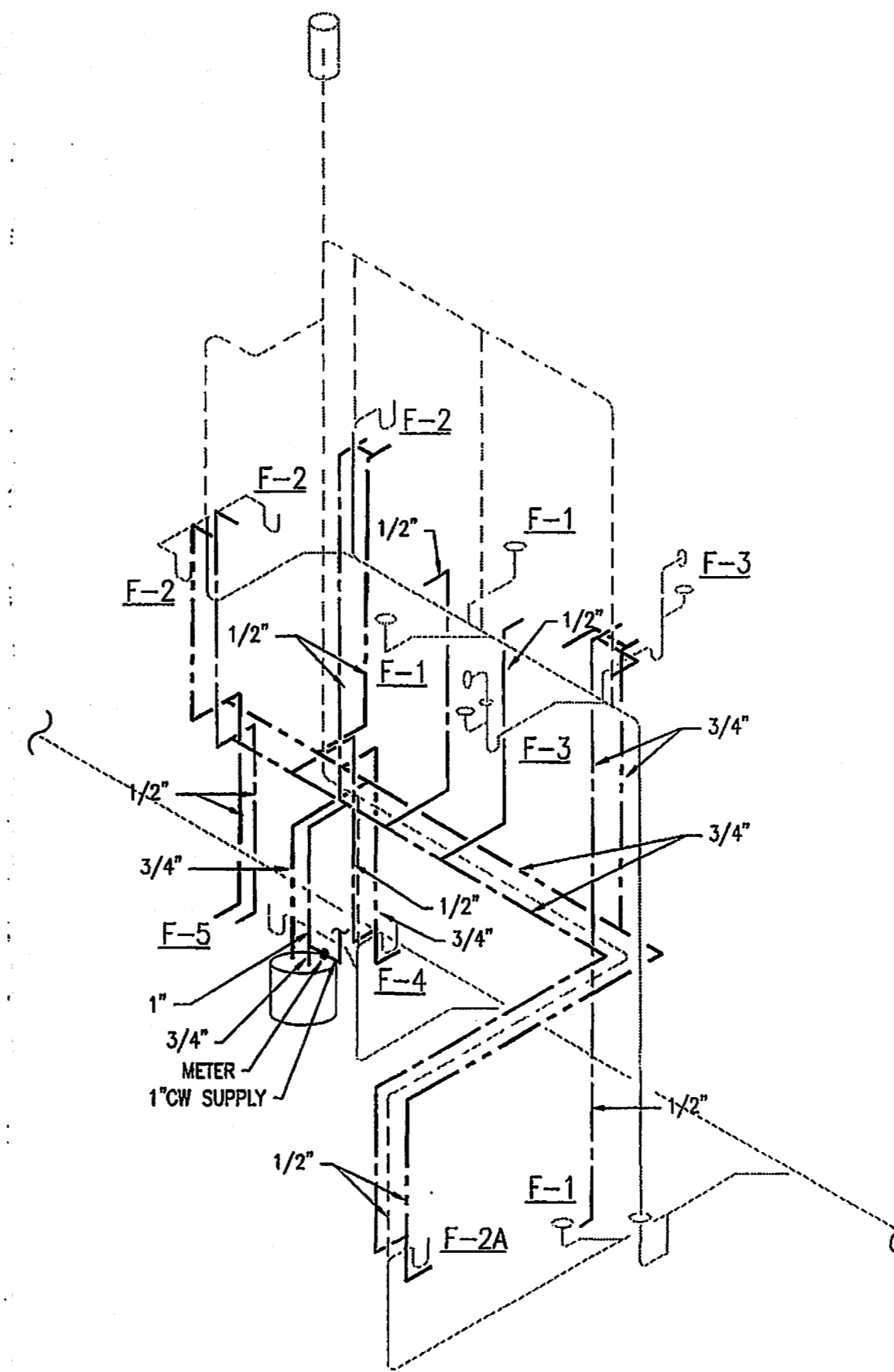


1 UNIT 'A1' - Two Bedroom, 2 1/2 Bath
 P21 1/4" = 1'-0" FIRST FLOOR PLAN - 621 ..

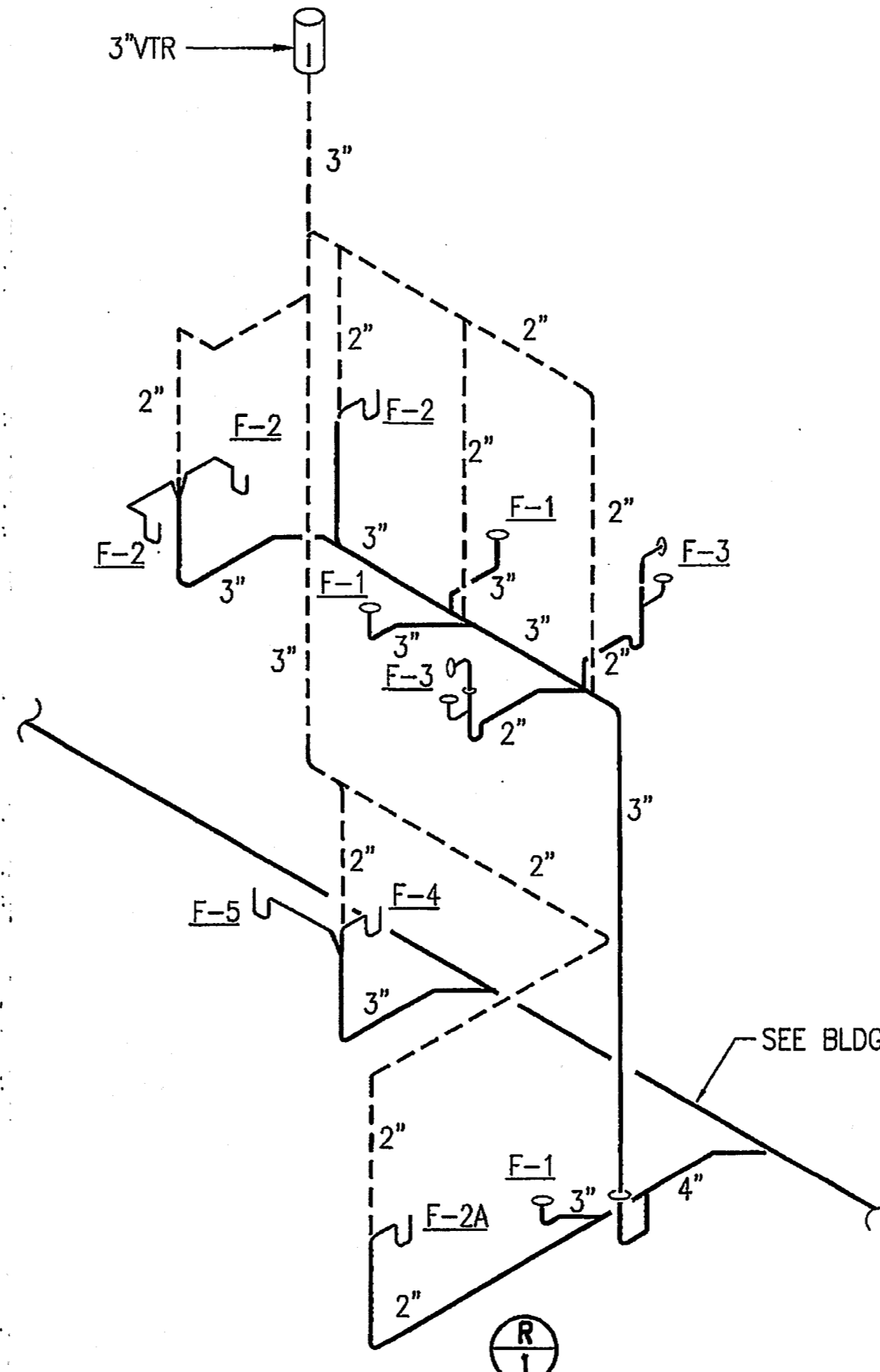


2 UNIT 'A1' - Two Bedroom, 2 1/2 Bath
 P21 1/4" = 1'-0" SECOND FLOOR PLAN - 607 ..



3 WATER RISER

E21 NOT TO SCALE



SEE BLDG DWGS FOR SIZE & DIRECTION

4 WASTE & VENT RISER

P21 NOT TO SCALE

AS BUILT ISSUE
08-07-03

Jordan & Skala Engineers, Inc.
 Job Number - 0110380
 6030-P UNITY DRIVE, NORCROSS, GA 30071
 PHONE (770)447-8547 FAX (770)448-0282
 EMAIL: js@jordan-skala.com
 COPYRIGHT © 2001 JORDAN & SKALA ENGINEERS INC.