

SHEAR WALL SCHEDULE:

- TYPE**
- (A)** 1) 1/2" WOOD STRUCTURAL PANEL NAILED W/ 10d NAILS AT 2" O.C. AT EDGES STAGGERED, & 10d NAILS AT 12" O.C. AT INTERIOR SUPPORTS. PROVIDE 3X OR 4X FRAMING MEMBERS AT ALL VERTICAL JOINTS & SOLID 3X OR 4X BLOCKING AT ALL HORIZONTAL JOINTS.
2) FASTEN SHEARWALL TO FOUNDATION W/ 5/8" ANCHOR BOLTS AT 18" O.C. (9" O.C. AT DOUBLE SIDED SHEARWALL).
3) ALTERNATE ANCHORAGE AT INTERIOR SLAB LOCATIONS.
A = 5/8"x3" EMBEDMENT EXPANSION ANCHORS @ 18" O.C.
A (DBL.) = 5/8"x3" EMBEDMENT EXPANSION ANCHORS @ 9" O.C.
4) FASTEN BOTTOM PLATE TO DECKING AT UPPER FLOORS W/ 16d NAILS @ 2" O.C.
- (B)** 1) 1/2" WOOD STRUCTURAL PANEL NAILED W/ 10d NAILS AT 3" O.C. AT EDGES STAGGERED, & 10d NAILS AT 12" O.C. AT INTERIOR SUPPORTS. PROVIDE 3X OR 4X FRAMING MEMBERS AT ALL VERTICAL JOINTS & SOLID 3X OR 4X BLOCKING AT ALL HORIZONTAL JOINTS.
2) FASTEN SHEARWALL TO FOUNDATION W/ 5/8" ANCHOR BOLTS AT 24" O.C. (12" O.C. AT DOUBLE SIDED SHEARWALL).
3) ALTERNATE ANCHORAGE AT INTERIOR SLAB LOCATIONS.
B = 5/8"x3" EMBEDMENT EXPANSION ANCHORS @ 24" O.C.
B (DBL.) = 5/8"x3" EMBEDMENT EXPANSION ANCHORS @ 12" O.C.
4) FASTEN BOTTOM PLATE TO DECKING AT UPPER FLOORS W/ 16d NAILS @ 3" O.C.
- (C)** 1) 1/2" WOOD STRUCTURAL PANEL NAILED W/ 10d NAILS AT 4" O.C. AT EDGES STAGGERED, & 10d NAILS AT 12" O.C. AT INTERIOR SUPPORTS. PROVIDE SOLID BLOCKING AT ALL HORIZONTAL JOINTS.
2) FASTEN SHEARWALL TO FOUNDATION W/ 1/2" ANCHOR BOLTS AT 20" O.C. (10" O.C. AT DOUBLE SIDED SHEARWALL).
3) ALTERNATE ANCHORAGE AT INTERIOR SLAB LOCATIONS.
C = 1/2"x3" EMBEDMENT EXPANSION ANCHORS @ 20" O.C.
C (DBL.) = 1/2"x3" EMBEDMENT EXPANSION ANCHORS @ 10" O.C.
4) FASTEN BOTTOM PLATE TO DECKING AT UPPER FLOORS W/ 16d NAILS @ 3" O.C.
- (D)** 1) 1/2" WOOD STRUCTURAL PANEL NAILED W/ 10d NAILS AT 6" O.C. AT EDGES STAGGERED & 10d NAILS AT 12" O.C. AT INTERIOR SUPPORTS. PROVIDE SOLID BLOCKING AT ALL HORIZONTAL JOINTS.
2) FASTEN SHEARWALL TO FOUNDATION W/ 1/2" ANCHOR BOLTS AT 30" O.C. (14" O.C. AT DOUBLE SIDED SHEARWALL).
3) ALTERNATE ANCHORAGE AT INTERIOR SLAB LOCATIONS.
D = 1/2"x3" EMBEDMENT EXPANSION ANCHORS @ 30" O.C.
D (DBL.) = 1/2"x3" EMBEDMENT EXPANSION ANCHORS @ 14" O.C.
4) FASTEN BOTTOM PLATE TO DECKING AT UPPER FLOORS W/ 16d NAILS @ 4" O.C.
- (E)** 1) 5/8" GYPSUM WALLBOARD OR GYP SHEATHING NAILED W/ 6d WALLBOARD NAILS AT 7" O.C. AT ALL SUPPORTS OR 1/2" GYPSUM WALL OR GYP SHEATHING NAILED W/ 5d WALLBOARD NAILS AT 7" O.C. AT ALL SUPPORTS.
2) FASTEN SHEARWALL TO FOUNDATION W/ 1/2" ANCHOR BOLTS AT 48" O.C.
3) ALTERNATE ANCHORAGE AT INTERIOR SLAB LOCATIONS - 1/2"x3" EMBEDMENT EXPANSION ANCHORS AT 48" O.C. OR HILTI DS62P10 AT 16" O.C.
4) FASTEN BOTTOM PLATE TO DECKING AT UPPER FLOORS W/ 16d NAILS AT 16" O.C.
5) REFER TO ARCHITECTURAL DRAWINGS FOR WALLBOARD OR GYPSUM SHEATHING THICKNESS AT EACH WALL LOCATION.
- (F)** 1) 5/8" GYPSUM WALLBOARD OR GYP SHEATHING NAILED W/ 6d WALLBOARD NAILS AT 4" O.C. AT ALL SUPPORTS.
2) FASTEN SHEARWALL TO FOUNDATION W/ 1/2" ANCHOR BOLTS AT 48" O.C.
3) ALTERNATE ANCHORAGE AT INTERIOR SLAB LOCATIONS - 1/2"x3" EMBEDMENT EXPANSION ANCHORS AT 48" O.C. OR HILTI DS62P10 AT 10" O.C.
4) FASTEN BOTTOM PLATE TO DECKING AT UPPER FLOORS W/ 16d NAILS AT 16" O.C.
- (G)** 1) 1/2" GYPSUM WALLBOARD OR GYP SHEATHING NAILED W/ 5d WALLBOARD NAILS AT 4" O.C. AT ALL SUPPORTS. PROVIDE SOLID 2X BLOCKING AT ALL EDGES.
2) FASTEN SHEARWALL TO FOUNDATION W/ 1/2" ANCHOR BOLTS AT 48" O.C.
3) ALTERNATE ANCHORAGE AT INTERIOR SLAB LOCATIONS - 1/2"x3" EMBEDMENT EXPANSION ANCHORS AT 48" O.C. OR HILTI DS62P10 AT 10" O.C.
4) FASTEN BOTTOM PLATE TO DECKING AT UPPER FLOORS W/ 16d NAILS AT 12" O.C.
- (H)** 1) 5/8" GYPSUM WALLBOARD OR GYP SHEATHING NAILED W/ 6d WALLBOARD NAILS AT 4" O.C. AT ALL SUPPORTS. PROVIDE SOLID 2X BLOCKING AT ALL EDGES.
2) FASTEN SHEARWALL TO FOUNDATION W/ 1/2" ANCHOR BOLTS AT 48" O.C.
3) ALTERNATE ANCHORAGE AT INTERIOR SLAB LOCATIONS - 1/2"x3" EMBEDMENT EXPANSION ANCHORS AT 48" O.C. OR HILTI DS62P10 AT 8" O.C.
4) FASTEN BOTTOM PLATE TO DECKING AT UPPER FLOORS W/ 16d NAILS AT 12" O.C.
- (J)** 1) 1/2" GYPSUM WALLBOARD OR GYP SHEATHING NAILED W/ 6d WALLBOARD NAILS AT 4" O.C. AT ALL SUPPORTS.
2) FASTEN SHEARWALL TO FOUNDATION W/ 1/2" ANCHOR BOLTS AT 48" O.C.
3) ALTERNATE ANCHORAGE AT INTERIOR SLAB LOCATIONS - 1/2"x3" EMBEDMENT EXPANSION ANCHORS AT 48" O.C. OR HILTI DS62P10 AT 12" O.C.
4) FASTEN BOTTOM PLATE TO DECKING AT UPPER FLOORS W/ 16d NAILS AT 16" O.C.
- (L)** 1) 5/8" GYPSUM WALLBOARD OR GYP SHEATHING APPLIED TO BOTH FACES OF STUDS NAILED W/ 6d WALLBOARD NAILS AT 4" O.C. AT ALL SUPPORTS OR 1/2" GYPSUM WALL OR GYP SHEATHING APPLIED TO BOTH FACES OF STUDS NAILED W/ 5d WALLBOARD NAILS AT 7" O.C. AT ALL SUPPORTS.
2) FASTEN SHEARWALL TO FOUNDATION W/ 1/2" ANCHOR BOLTS AT 48" O.C.
3) ALTERNATE ANCHORAGE AT INTERIOR SLAB LOCATIONS - 1/2"x3" EMBEDMENT EXPANSION ANCHORS AT 48" O.C.
4) FASTEN BOTTOM PLATE TO DECKING AT UPPER FLOORS W/ 16d NAILS AT 8" O.C.
5) REFER TO ARCHITECTURAL DRAWINGS FOR WALLBOARD OR GYPSUM SHEATHING THICKNESS AT EACH WALL LOCATION.
- (M)** 1) 1/2" GYPSUM WALLBOARD OR GYP SHEATHING APPLIED TO BOTH FACES OF STUDS NAILED W/ 5d WALLBOARD NAILS AT 4" O.C. AT ALL SUPPORTS. PROVIDE SOLID 2X BLOCKING AT ALL EDGES.
2) FASTEN SHEARWALL TO FOUNDATION W/ 1/2" ANCHOR BOLTS AT 30" O.C.
3) ALTERNATE ANCHORAGE AT INTERIOR SLAB LOCATIONS - 1/2"x3" EMBEDMENT EXPANSION ANCHOR @ 30" O.C.
4) FASTEN BOTTOM PLATE TO DECKING AT UPPER FLOORS W/ 16d NAILS AT 4" O.C.
- (N)** 1) 5/8" GYPSUM WALLBOARD OR GYP SHEATHING APPLIED TO BOTH FACES OF STUDS NAILED W/ 6d WALLBOARD NAILS AT 4" O.C. AT ALL SUPPORTS. PROVIDE SOLID 2X BLOCKING AT ALL EDGES.
2) FASTEN SHEARWALL TO FOUNDATION W/ 1/2" ANCHOR BOLTS AT 24" O.C.
3) ALTERNATE ANCHORAGE AT INTERIOR SLAB LOCATIONS - 1/2"x3" EMBEDMENT EXPANSION ANCHOR @ 24" O.C.
4) FASTEN BOTTOM PLATE TO DECKING AT UPPER FLOORS W/ 16d NAILS AT 4" O.C.
- (P)** 1) 1/2" GYPSUM WALLBOARD OR GYP SHEATHING APPLIED TO BOTH FACES OF STUDS NAILED W/ 5d WALLBOARD NAILS AT 4" O.C. AT ALL SUPPORTS.
2) FASTEN SHEARWALL TO FOUNDATION W/ 1/2" ANCHOR BOLTS AT 30" O.C.
3) ALTERNATE ANCHORAGE AT INTERIOR SLAB LOCATIONS - 1/2"x3" EMBEDMENT EXPANSION ANCHOR @ 30" O.C.
4) FASTEN BOTTOM PLATE TO DECKING AT UPPER FLOORS W/ 16d NAILS AT 8" O.C.
- (R)** 1) 5/8" GYPSUM WALLBOARD OR GYP SHEATHING APPLIED TO BOTH FACES OF STUDS NAILED W/ 6d WALLBOARD NAILS AT 4" O.C. AT ALL SUPPORTS.
2) FASTEN SHEARWALL TO FOUNDATION W/ 1/2" ANCHOR BOLTS AT 30" O.C.
3) ALTERNATE ANCHORAGE AT INTERIOR SLAB LOCATIONS - 1/2"x3" EMBEDMENT EXPANSION ANCHOR @ 30" O.C.
4) FASTEN BOTTOM PLATE TO DECKING AT UPPER FLOORS W/ 16d NAILS AT 4" O.C.

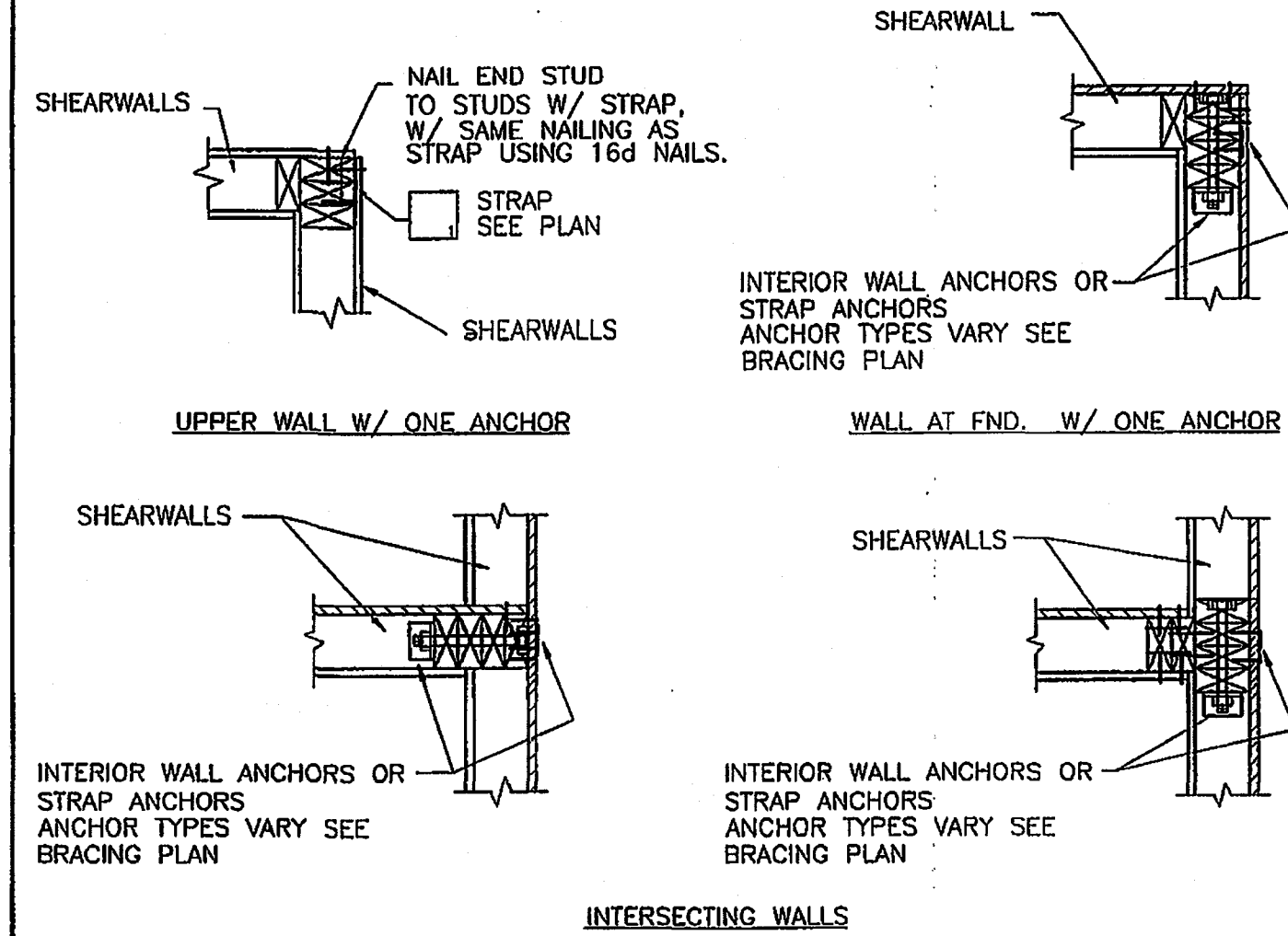
SHEAR WALL SCHEDULE (CONT.):

- TYPE**
- (FG)** 1) 5/8" GYPSUM WALLBOARD NAILED W/ 6d WALLBOARD NAILS AT 4" O.C. AT ALL SUPPORTS ON INTERIOR FACE OF WALL & 1/2" GYP SHEATHING NAILED W/ 5d WALLBOARD NAILS AT 4" O.C. AT ALL SUPPORTS ON EXTERIOR FACE OF WALL. PROVIDE 2X BLOCKING AT JOINTS IN 1/2" GYP SHEATHING.
2) FASTEN SHEARWALL TO FOUNDATION W/ 1/2" ANCHOR BOLTS AT 30" O.C.
3) ALTERNATE ANCHORAGE AT INTERIOR SLAB LOCATIONS - 1/2"x3" EMBEDMENT EXPANSION ANCHORS AT 30" O.C.
4) FASTEN BOTTOM PLATE TO DECKING AT UPPER FLOORS W/ 16d NAILS AT 4" O.C.
- (HG)** 1) 5/8" GYPSUM WALLBOARD NAILED W/ 6d WALLBOARD NAILS AT 4" O.C. AT ALL SUPPORTS ON INTERIOR FACE OF WALL & 1/2" GYP SHEATHING NAILED W/ 5d WALLBOARD NAILS AT 4" O.C. AT ALL SUPPORTS ON EXTERIOR FACE OF WALL. PROVIDE 2X BLOCKING AT ALL EDGES FOR BOTH FACES OF WALL.
2) FASTEN SHEARWALL TO FOUNDATION W/ 1/2" ANCHOR BOLTS AT 30" O.C.
3) ALTERNATE ANCHORAGE AT INTERIOR SLAB LOCATIONS - 1/2"x3" EMBEDMENT EXPANSION ANCHORS AT 30" O.C.
4) FASTEN BOTTOM PLATE TO DECKING AT UPPER FLOORS W/ 16d NAILS AT 4" O.C.
- NOTES:**
- REFERENCE SHEARWALL ANCHORAGE SCHEDULE FOR REQUIRED MEMBERS AT ENDS OF SHEARWALL. IF NO ANCHOR IS USED, PROVIDE 2-2X STUDS (MIN.) AT EACH END OF SHEAR WALL.
 - ALL EXTERIOR TYPE E, G, H, AND J SHEAR WALLS SHALL CONSIST OF 4' X 8' SHEETS OF GYPSUM SHEATHING. FASTEN 1/2" GYPSUM SHEATHING WITH NO. 11 GAGE X 1 3/4" DIAMOND-POINT, GALVANIZED NAILS WITH 7/16" HEADS.
 - SHEAR WALL FRAMING SHALL BE 2X STUDS AT 16" O.C. MAXIMUM. SEE: PLANS
 - POWDER ACTUATED FASTENER ALTERNATES SHALL BE HILTI DS62P10 (OR EQUAL) HILTI NAIL X-AL-H62-P8 MAY BE SUBSTITUTED FOR THE HILTI DS62P10. THE HILTI NAIL MAY NOT BE USED AT EDGES OF THE SLAB. (PRIOR APPROVAL REQUIRED FOR POWDER ACTUATED FASTENER OTHER THAN HILTI).
 - IT SHALL BE THE CONTRACTOR'S RESPONSIBILITY TO PROVIDE AND USE PACHOMETERS AND OTHER EQUIPMENT NECESSARY TO LOCATE ALL POST-TENSIONING TENDONS SUCH THAT NO DAMAGE OCCURS FROM PLACEMENT OF POWDER ACTUATED FASTENER OR EXPANSION ANCHOR ALTERNATES.
 - IT SHALL BE THE CONTRACTOR'S RESPONSIBILITY TO INSURE THAT THE PLACEMENT OF POWDER ACTUATED FASTENER OR EXPANSION ANCHOR ALTERNATES IS IN ACCORDANCE WITH MANUFACTURER'S RECOMMENDATIONS AND IN COMPLIANCE WITH ALL APPLICABLE BUILDING CODES. (SPECIAL INSPECTORS SHALL BE PROVIDED IF SPECIFIED BY THE APPLICABLE BUILDING CODE.)
 - EXPANSION ANCHOR ALTERNATES SHALL BE HILTI KWIK BOLT ANCHORS (OR EQUAL) (PRIOR APPROVAL REQUIRED FOR EXPANSION ANCHOR OTHER THAN HILTI KWIK BOLT ANCHORS.)
 - WHERE SHEAR WALLS ARE PERPENDICULAR TO THE FRAMING ABOVE SEE 2/S9.03
 - WHERE SHEARWALLS ARE PARALLEL TO THE FRAMING ABOVE, EITHER 1) EXTEND THE SHEARWALL TO THE FLOOR OR ROOF SHEATHING W/ SOLID BLOCKING AT ALL SHEATHED EDGES OR 2) SEE 3/S9.03

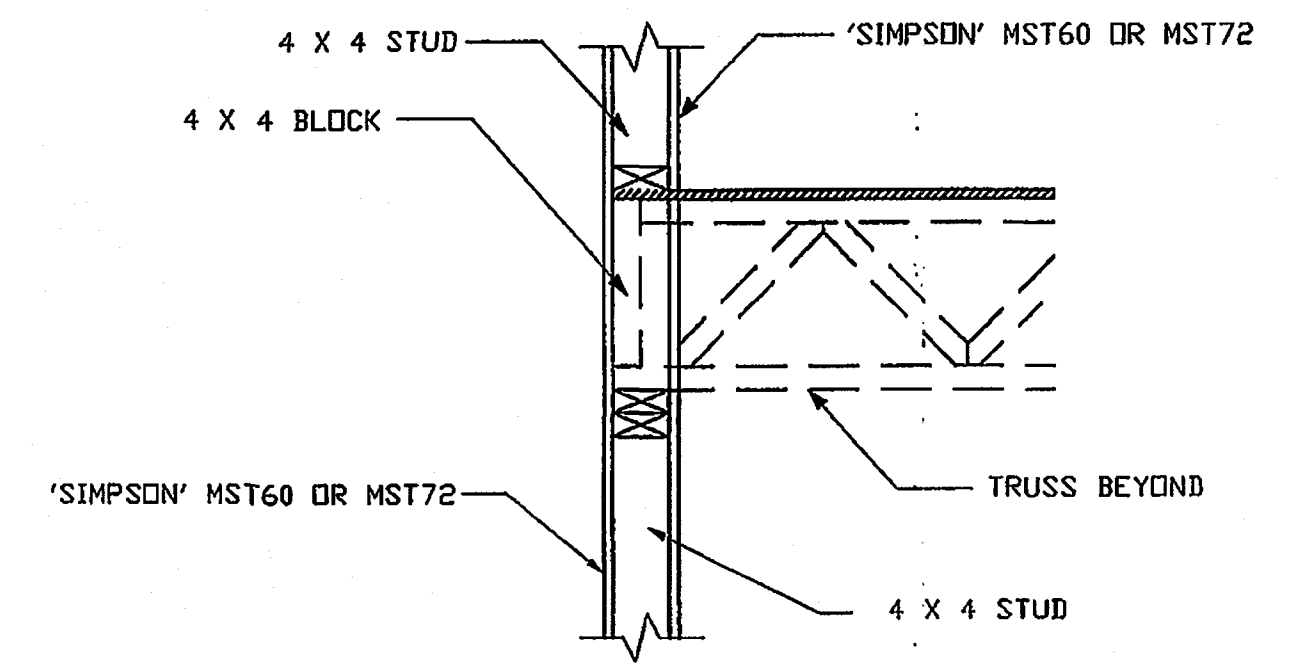
SHEARWALL ANCHORAGE SCHEDULE

- LTT19 - 1) PROVIDE 2-2X4 (MIN) AT ENDS OF SHEARWALL.
2) FASTEN TO FOUNDATION W/ 3/4" X 7" EMBEDMENT HEADED ANCHOR BOLT.
3) ALTERNATE ANCHORAGE - 3/4" X 6" EMBEDMENT EXPANSION ANCHOR @ INTERIOR CONDITION OR 3/4" X 6" EMBEDMENT SIMPSON ET22 EPOXY ANCHOR @ EDGE CONDITION.
- LTT20B - 1) PROVIDE 2-2X4 (MIN) AT ENDS OF SHEARWALL.
2) FASTEN TO FOUNDATION W/ 1/2" X 7" EMBEDMENT HEADED ANCHOR BOLT.
3) ALTERNATE ANCHORAGE - 1/2" X 4 1/2" EMBEDMENT EXPANSION ANCHOR @ INTERIOR CONDITION OR 1/2" X 4 1/2" EMBEDMENT SIMPSON ET22 EPOXY ANCHOR @ EDGE CONDITION.
- STHD 8 - 1) PROVIDE 2-2X4 (MIN) AT ENDS OF SHEARWALL.
2) ALTERNATE HOLD-DOWN - HIT16 W/ 5/8" X 6" EMBEDMENT SIMPSON ET22 EPOXY ANCHOR.
- STHD 10 - 1) PROVIDE 2-2X4 (MIN) AT ENDS OF SHEARWALL.
2) ALTERNATE HOLD-DOWN - HIT16 W/ 5/8" X 6" EMBEDMENT SIMPSON ET22 EPOXY ANCHOR.
- HTT 16 - 1) PROVIDE 2-2X4 (MIN) AT ENDS OF SHEARWALL.
2) FASTEN TO FOUNDATION W/ 5/8" X 9" EMBEDMENT HEADED ANCHOR BOLT.
3) ALTERNATE ANCHORAGE - 5/8" X 7" EMBEDMENT EXPANSION ANCHOR @ INTERIOR CONDITION OR 5/8" X 6" EMBEDMENT SIMPSON ET22 EPOXY ANCHORS @ EDGE CONDITION.
- STHD14 - 1) PROVIDE 2-2X4 (MIN) AT ENDS OF SHEARWALL.
2) ALTERNATE HOLD-DOWN - HIT22 W/ 5/8" X 7" EMBEDMENT SIMPSON ET22 EPOXY ANCHOR.
- HTT22 - 1) PROVIDE 2-2X4 (MIN) AT ENDS OF SHEARWALL.
2) FASTEN TO FOUNDATION W/ 5/8" X 9" EMBEDMENT HEADED ANCHOR BOLT.
3) ALTERNATE ANCHORAGE - 5/8" X 7" EMBEDMENT SIMPSON ET22 EPOXY ANCHOR.
- PHD8 - 1) PROVIDE 2-2X4 (MIN) AT ENDS OF SHEARWALL.
2) FASTEN TO FOUNDATION W/ 7/8" X 9" EMBEDMENT HEADED ANCHOR BOLT.
3) ALTERNATE ANCHORAGE - 7/8" X 8" EMBEDMENT SIMPSON ET22 EPOXY ANCHOR.
- PHD8 - 1) PROVIDE 2-2X4 (MIN) AT ENDS OF SHEARWALL.
2) FASTEN TO FOUNDATION W/ 7/8" X 9" EMBEDMENT HEADED ANCHOR BOLT.
3) ALTERNATE ANCHORAGE - 7/8" X 9" EMBEDMENT SIMPSON ET22 EPOXY ANCHOR.
- HD10A - 1) PROVIDE 4-2X4 (MIN) AT ENDS OF SHEARWALL.
2) FASTEN TO FOUNDATION W/ 7/8" X 10" EMBEDMENT HEADED ANCHOR BOLT.
3) ALTERNATE ANCHORAGE - 7/8" X 9" EMBEDMENT SIMPSON ET22 EPOXY ANCHOR.
- HD14A - 1) PROVIDE 4X6 (MIN) AT ENDS OF SHEARWALL.
2) FASTEN TO FOUNDATION W/ 1" X 14" EMBEDMENT HEADED ANCHOR BOLT W/ 3/4" X 3/4" THICK WASHER.
- HD15 - 1) PROVIDE 6X6 OR 4X10 POST (MIN) AT ENDS OF SHEARWALL.
2) FASTEN TO FOUNDATION W/ 1 1/4" X 16" EMBEDMENT HEADED ANCHOR BOLT W/ 3 3/4" X 7/8" THICK WASHER.

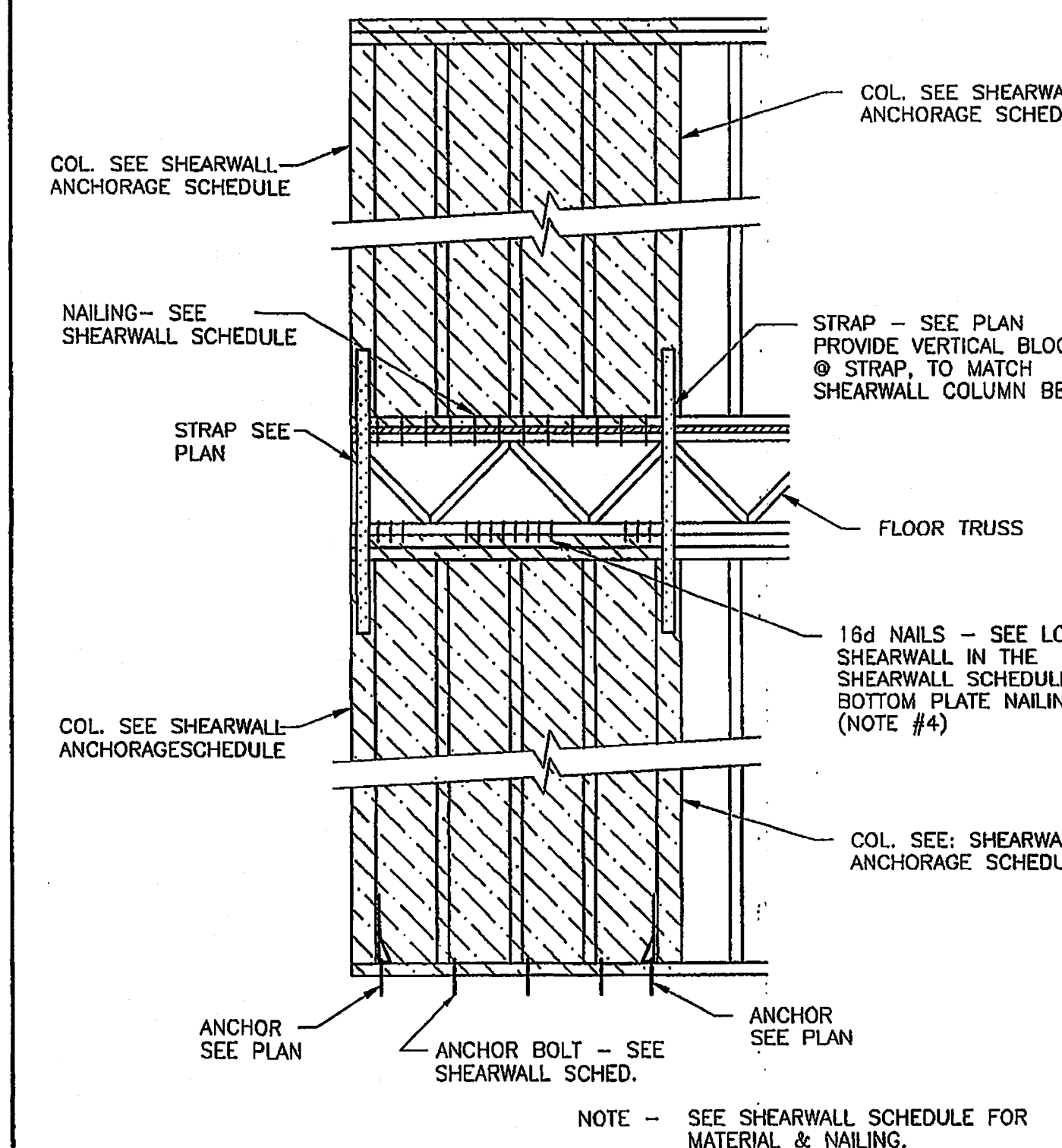
- (1)CS16 -1) PROVIDE 2-2X4 (MIN) AT ENDS OF SHEARWALL.
2) CUT STRAP TO ALLOW FOR 14" (MIN) END LENGTH.
 - (2)CS16 -1) PROVIDE 2-2X4 (MIN) AT ENDS OF SHEARWALL.
2) CUT STRAP TO ALLOW FOR 14" (MIN) END LENGTH.
 - MST60 -1) PROVIDE 4-2X4 (MIN) AT ENDS OF SHEARWALL.
 - MST72 -1) PROVIDE 4-2X4 (MIN) AT ENDS OF SHEARWALL.
 - 2-MST60 -1) PROVIDE 4X4 (MIN) AT ENDS OF SHEARWALL ABOVE & BELOW. SEE DETAIL 4/S9.03.
2) PROVIDE 4X4 (MIN) SOLID BLOCK @ TRUSS SPACE.
 - 2-MST72 -1) PROVIDE 4X4 (MIN) AT ENDS OF SHEARWALL ABOVE & BELOW. SEE DETAIL 4/S9.03.
2) PROVIDE 4X4 (MIN) SOLID BLOCK @ TRUSS SPACE.
- NOTE:**
1. ALTERNATE EPOXY ANCHORS - HILTI HVA OR RAMSET EPCON.



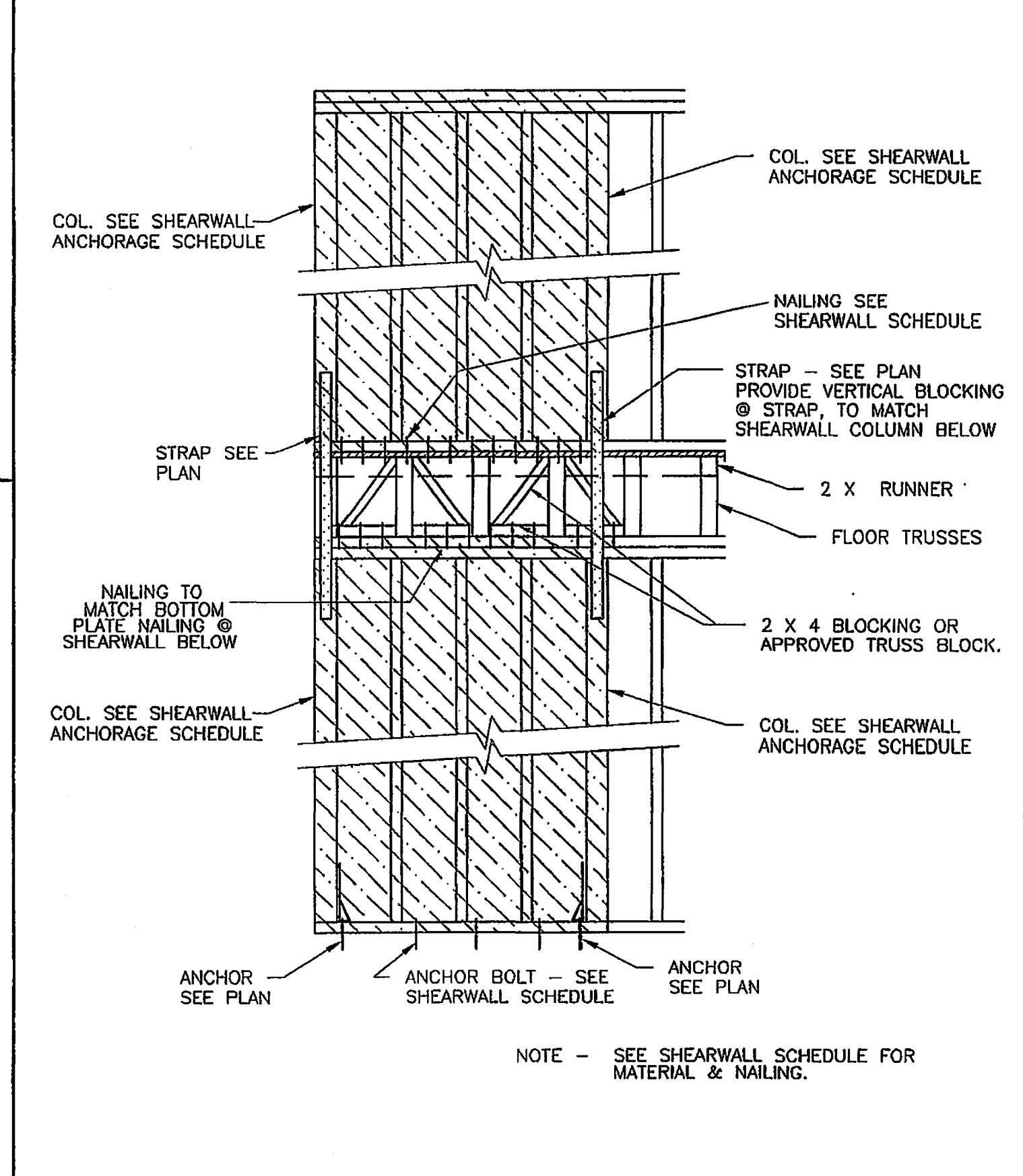
TYPICAL ANCHORAGE ARRANGEMENTS (5)



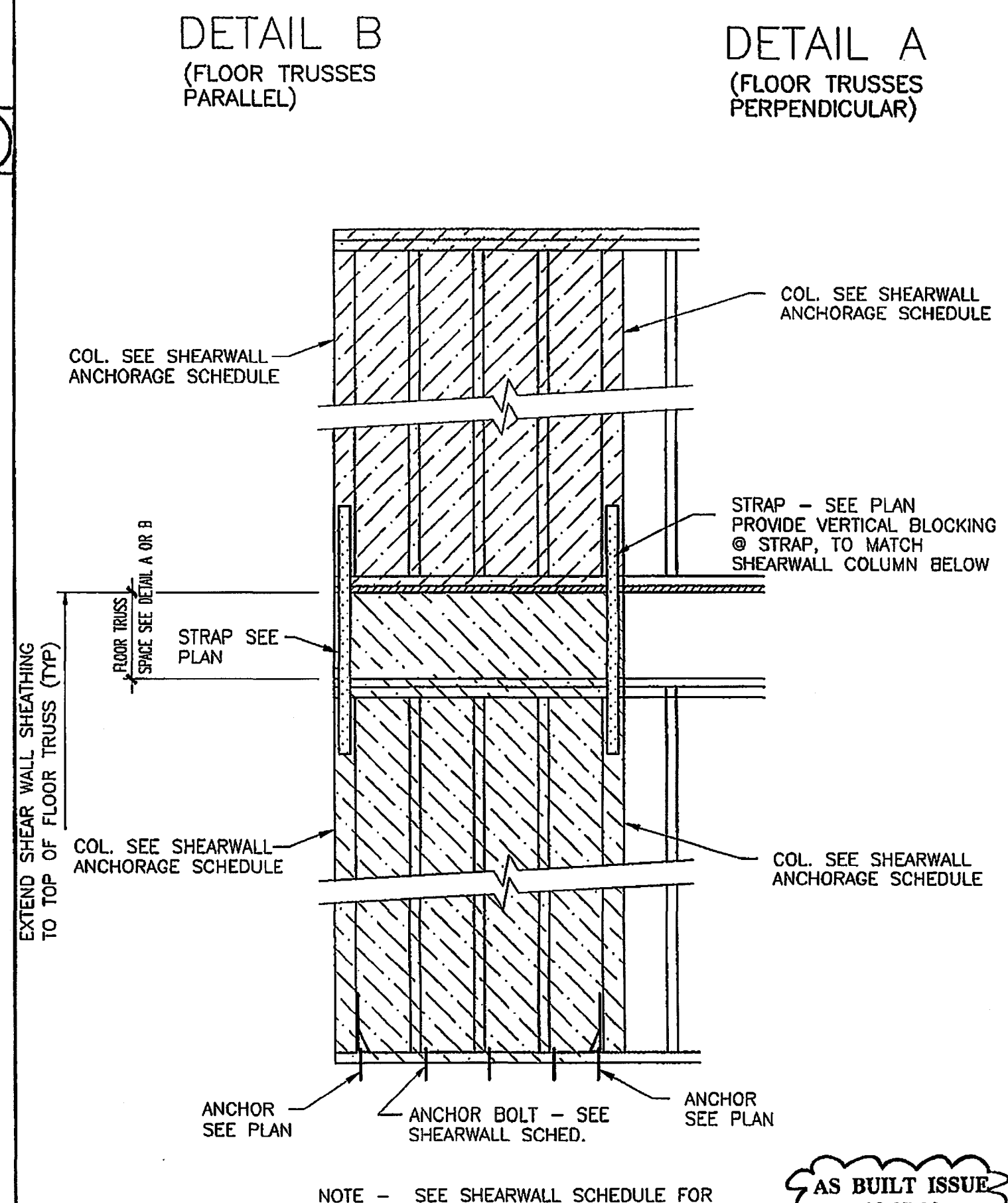
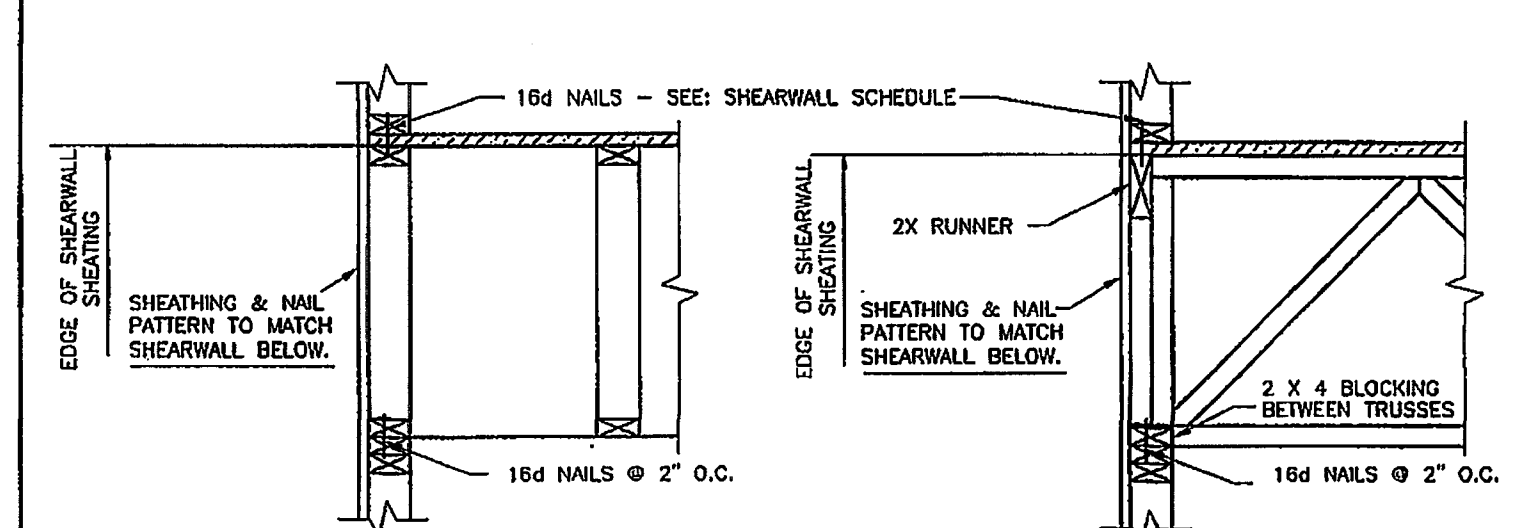
DETAIL AT #18 OR #19 STRAPS (4)



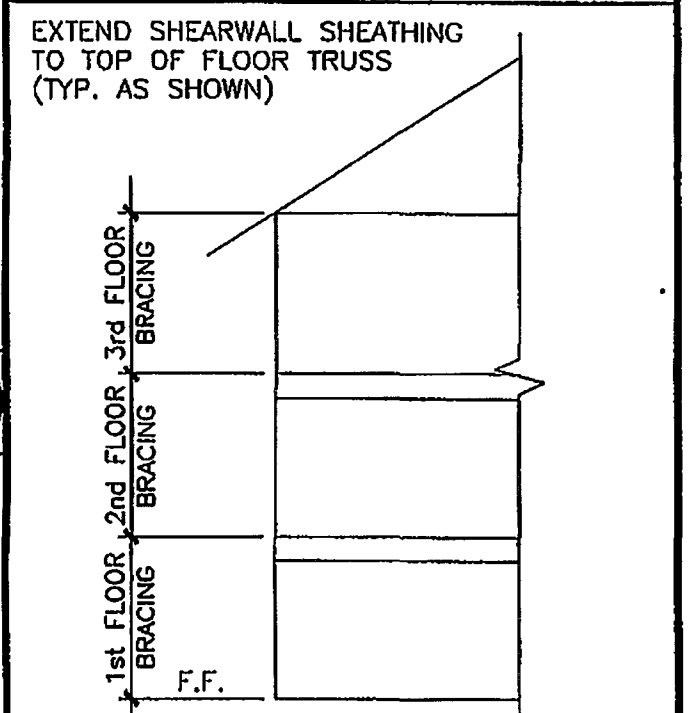
INTERIOR SHEARWALL (FLOOR TRUSSES PARALLEL) (3)



INTERIOR SHEARWALL (FLOOR TRUSSES PERPENDICULAR) (2)

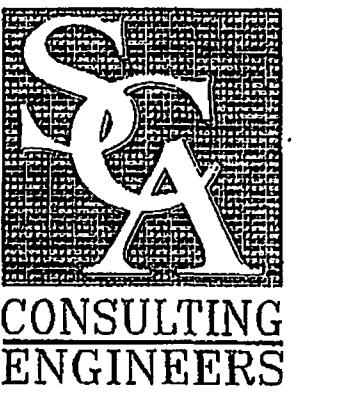


EXTERIOR SHEARWALL (1)



SHEARWALL HEIGHT KEY

Project
CAROLINA LANDINGS APARTMENTS
MANATEE COUNTY, FLORIDA
TOWNHOME RENTAL COMMUNITY



CORPORATE OFFICE
10101 Southwest Freeway, Suite 000
Houston, Texas 77074-1126
713.779.7252 1.800.422.7252
FAX: 713.779.1173
e-mail: sca@scahouston.com
Louisville, Kentucky 502.426.0709
Orlando, Florida 407.893.6200

ISSUE DATES	Review Issue	xxxxx
Bid Issue	12-10-2001	
Permit Issue	12-10-2001	
Construction Issue	03-12-2002	

Revisions
02-07-2002 REISSUE FOR PERMIT-AMENITY

Drawn ES
Drawn BA
Check MLS
Date 03-12-2002

Project 21510
Sheet **S9.03**

AS BUILT ISSUE 08-07-03