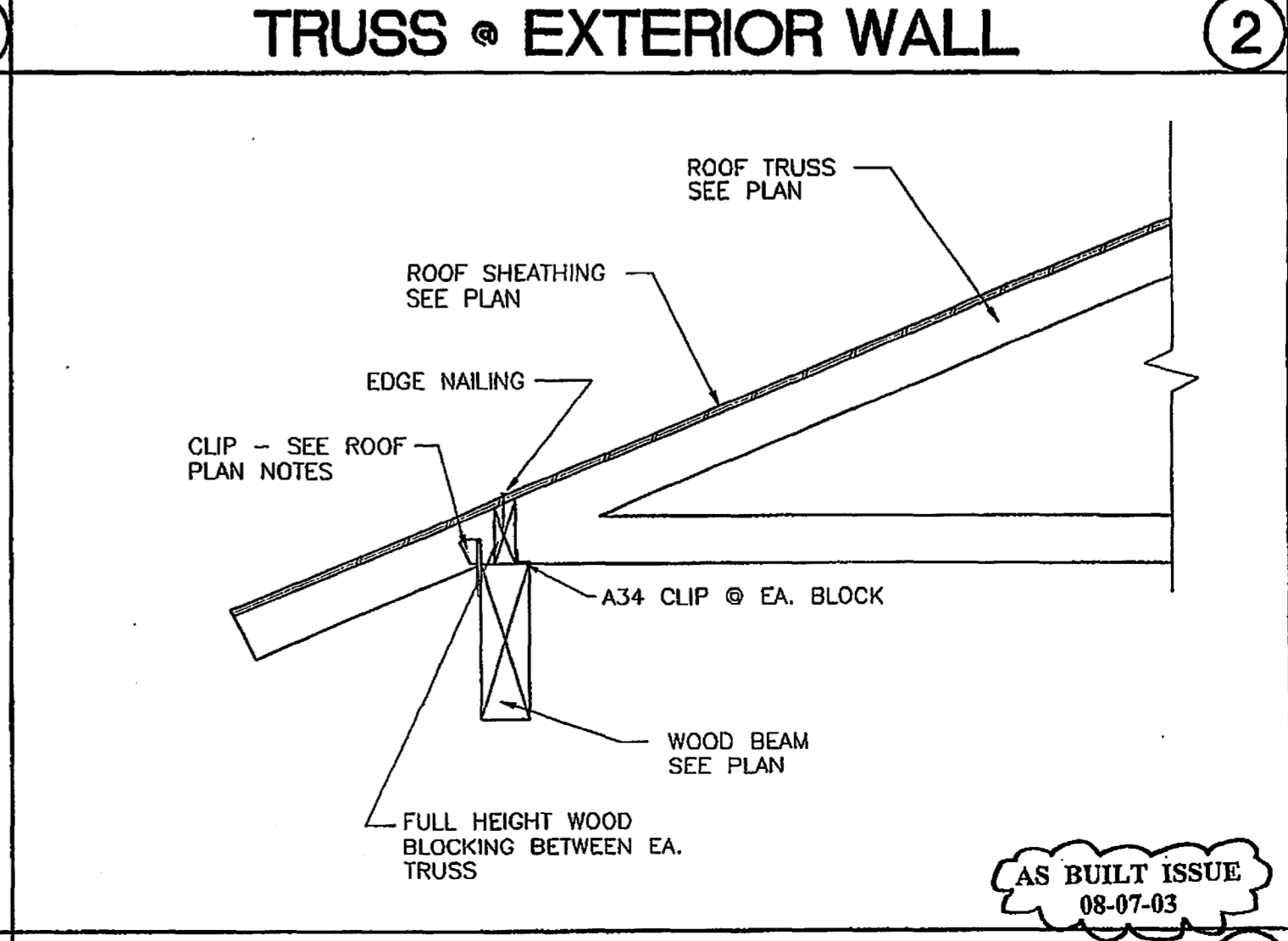
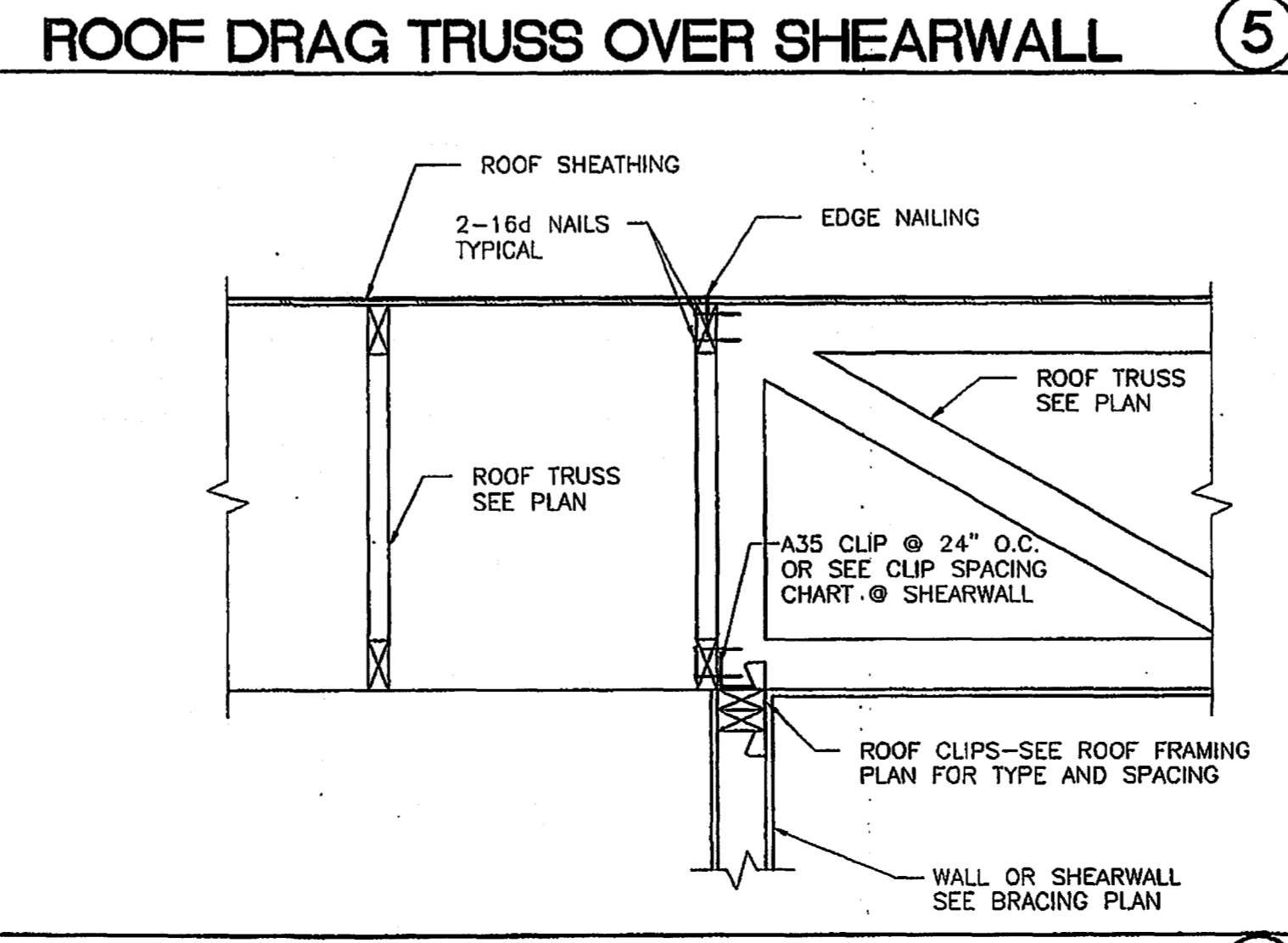
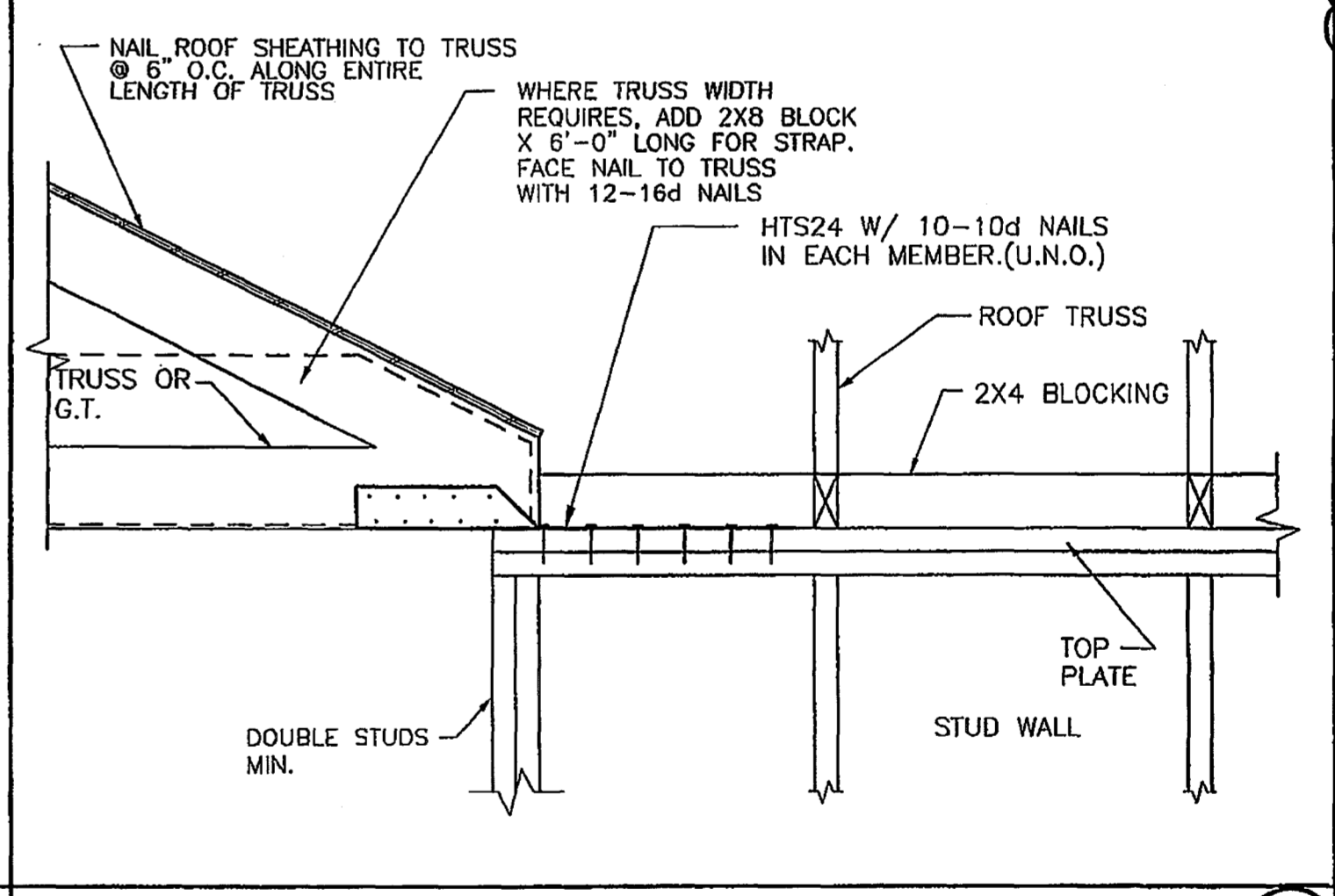
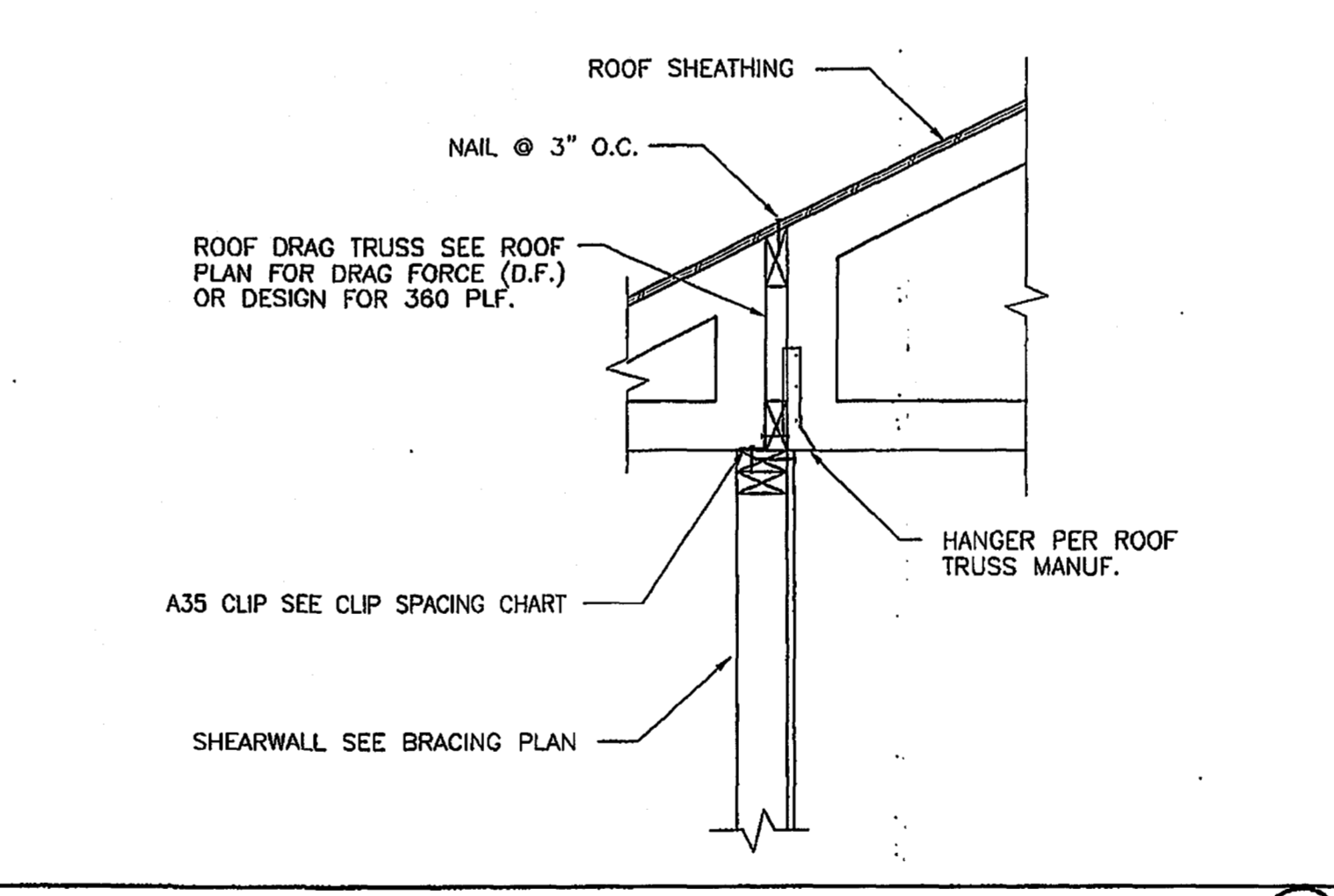


NOTE:
1. SEE SHEET S8.03 FOR ADDITIONAL SHEATHING, BLOCKING, AND NAILING REQUIREMENTS AND SHEARWALL LOCATIONS.

SHEARWALL	LTP4 OR A35 CLIP SPACING PER DETAIL
A	6" O.C.
B	8" O.C.
C	10" O.C.
D	12" O.C.
E,F,G,H,J	24" O.C.
L,M,Z,P,R,FG	16" O.C.
N,HG	14" O.C.
PARTY WALLS WITH E/E OR F/F	16" O.C.

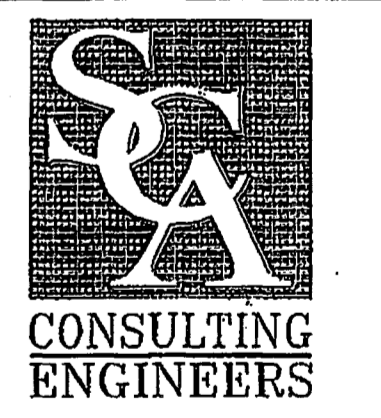
NOTE:
1. CLIPS ARE PER SHEARWALL SCHEDULE

DETAIL AT GABLE END



CONNECTION NOTE:
"HURRIBOLT" STRUCTURAL FASTENING SYSTEM USED IN CONJUNCTION WITH "SIMPSON" SYSTEM, AS APPROVED BY SCA (STRUCTURAL CONSULTING ENGINEERS) AND BUILDING DEPT. OF MANATEE CO.

Project
CAROLINA LANDINGS APARTMENTS
MANATEE COUNTY, FLORIDA
TOWNHOME RENTAL COMMUNITY



CORPORATE OFFICE
10101 Southwest Freeway, Suite 600
Houston, Texas 77074-1126
713.779.7252 1.800.422.7252
FAX: 713.779.1173
e-mail: sca@scalouston.com
Louisville, Kentucky 502.426.0789
Orlando, Florida 407.893.6200

ISSUE DATES	
Review Issue	xxxxx
Bid Issue	12-10-2001
Permit Issue	12-10-2001
Construction Issue	03-12-2002
Revisions	
02-07-2002	REISSUE FOR PERMIT-AMENITY

Drawn	ES/CJR	Project	21510
Drawn	BA	Sheet	S8.11
Check	MLS	Date	03-12-2002