

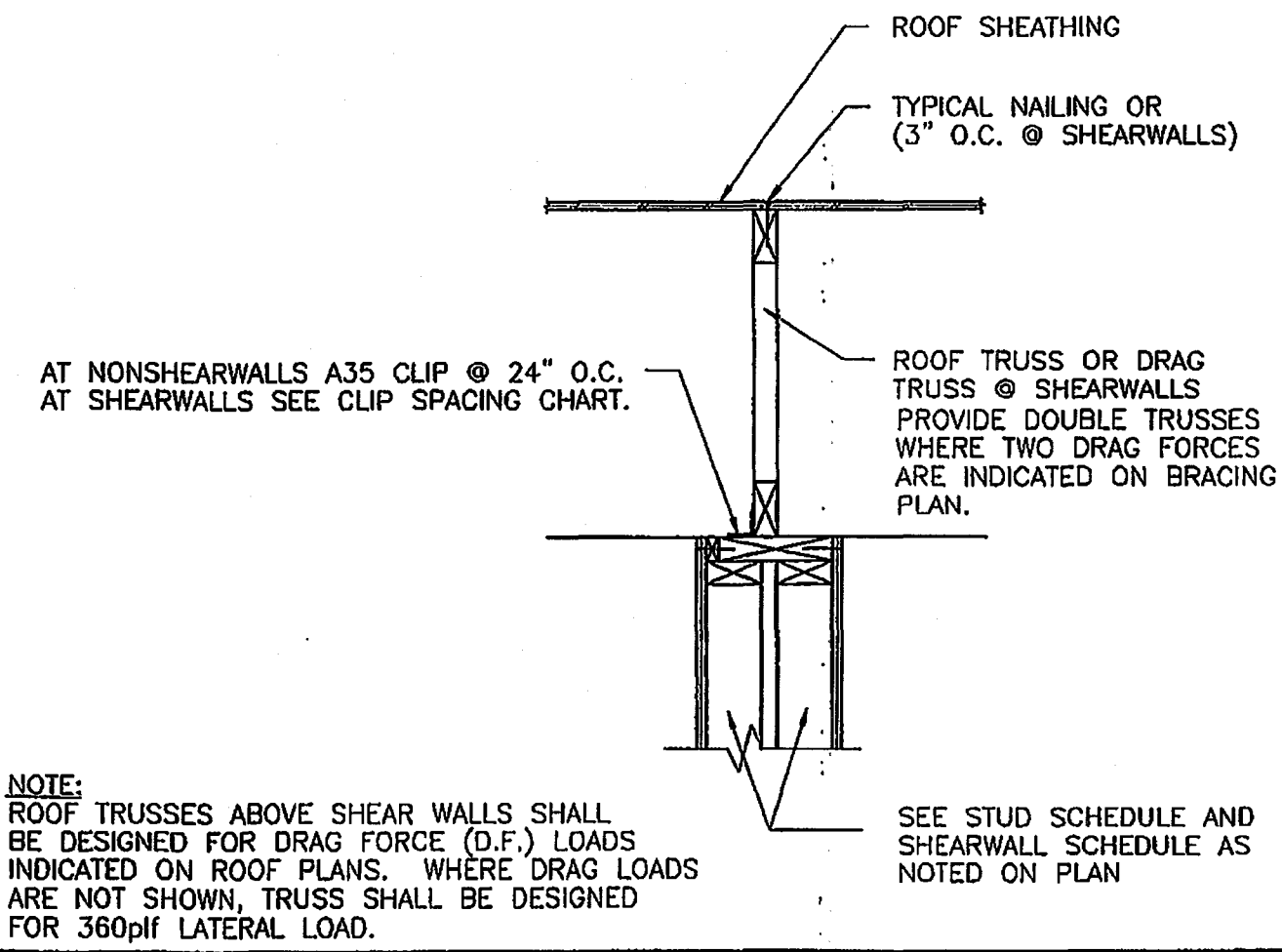
EXTERIOR WALL DETAIL

3

NOTE:
1. SEE SHEET S9.03 FOR ADDITIONAL SHEATHING, BLOCKING, AND NAILING REQUIREMENTS AT SHEARWALL LOCATIONS.

CLIP SPACING CHART U.N.O.	
SHEARWALL	LTP4 OR A35 CLIP SPACING PER DETAIL
A	6" O.C.
B	8" O.C.
C	10" O.C.
D	12" O.C.
E,F,G,H,J	24" O.C.
L,M,Z,P,R,FG	16" O.C.
N,HG	14" O.C.
PARTY WALLS WITH E/E OR F/F	16" O.C.

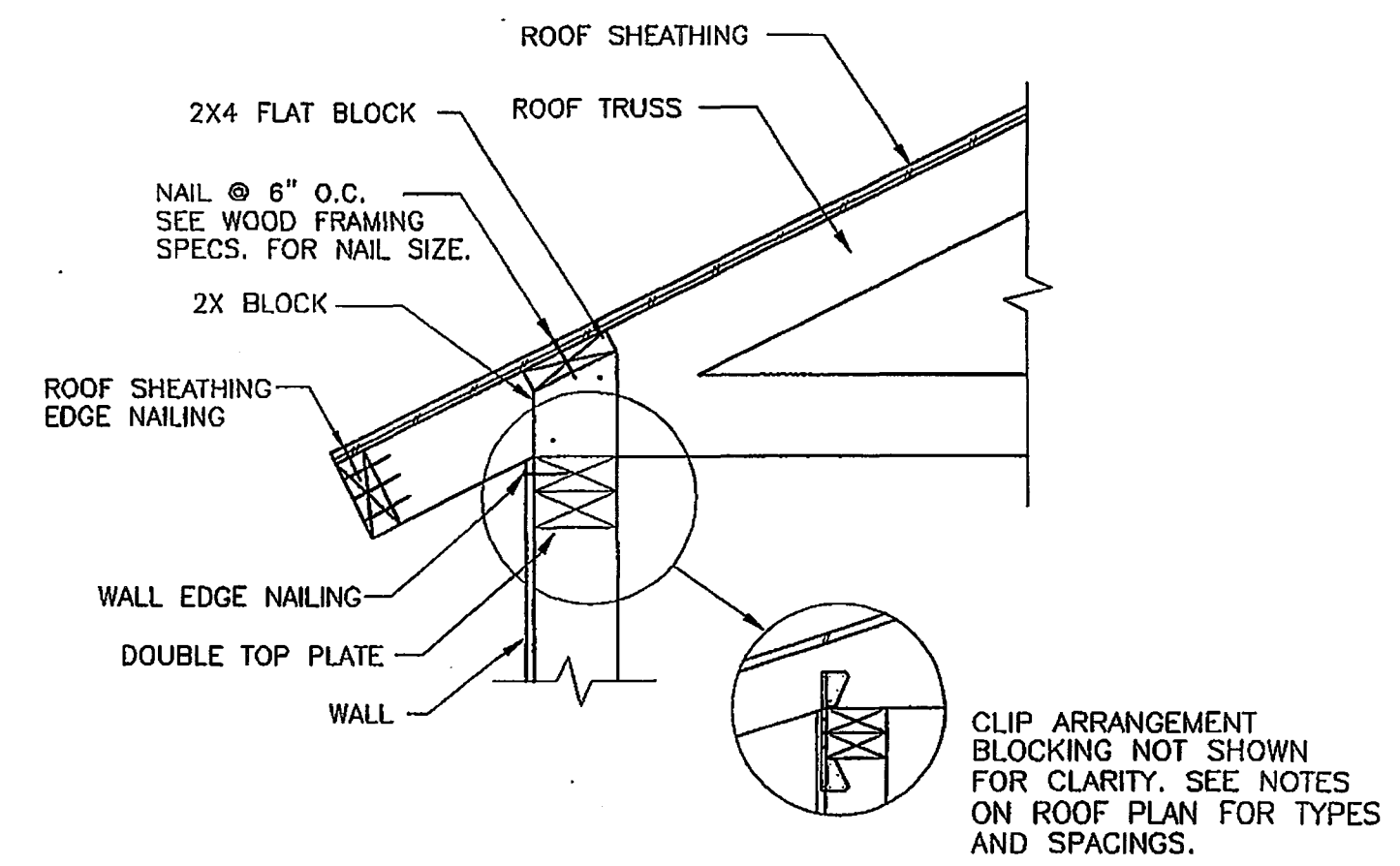
NOTE:
1. CLIPS ARE PER SHEARWALL SCHEDULE



ROOF TRUSS at PARTY WALL

6

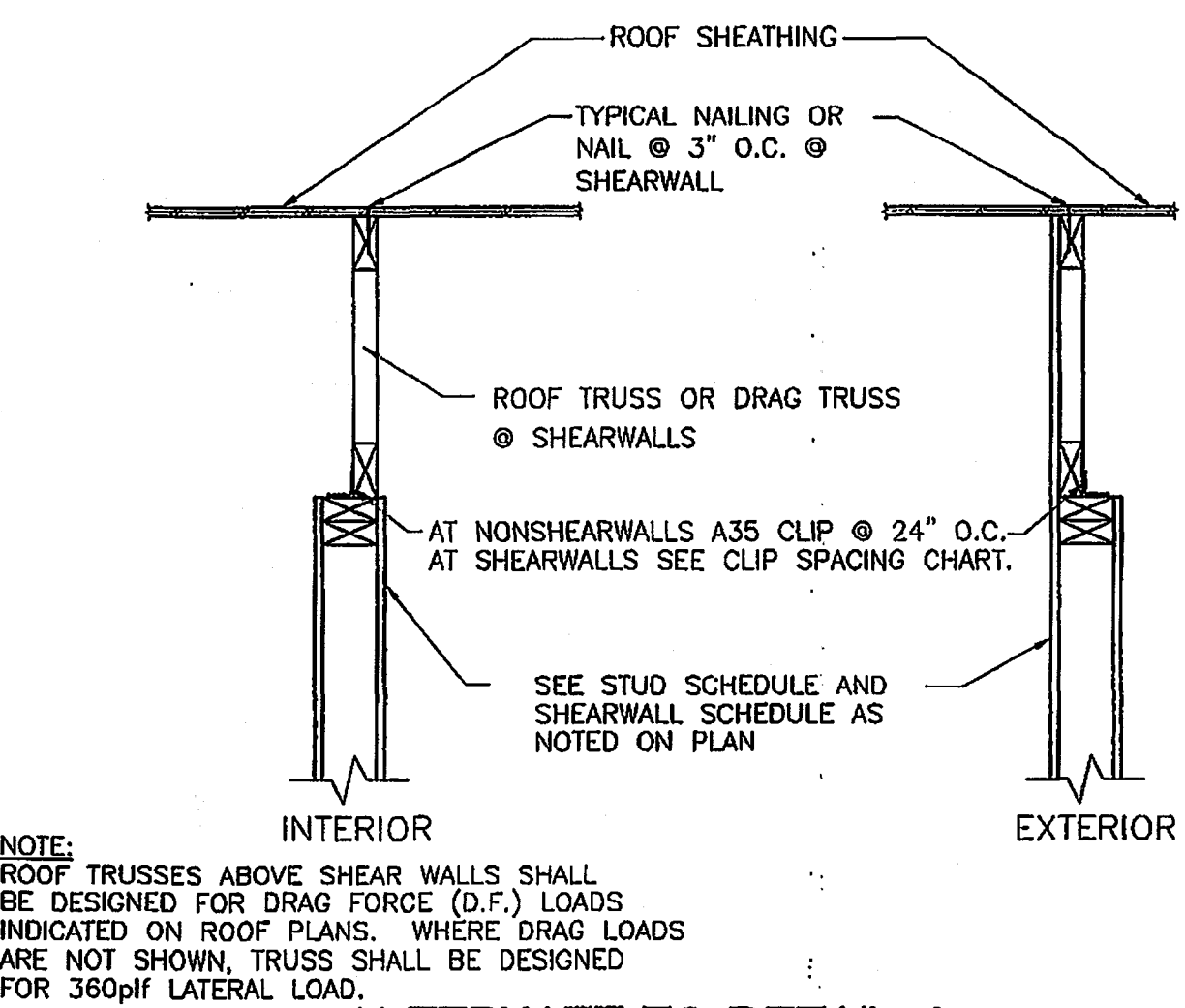
NOTE:
ROOF TRUSSES ABOVE SHEAR WALLS SHALL BE DESIGNED FOR DRAG FORCE (D.F.) LOADS INDICATED ON ROOF PLANS. WHERE DRAG LOADS ARE NOT SHOWN, TRUSS SHALL BE DESIGNED FOR 360plf LATERAL LOAD.



VENT BLOCKING DETAIL

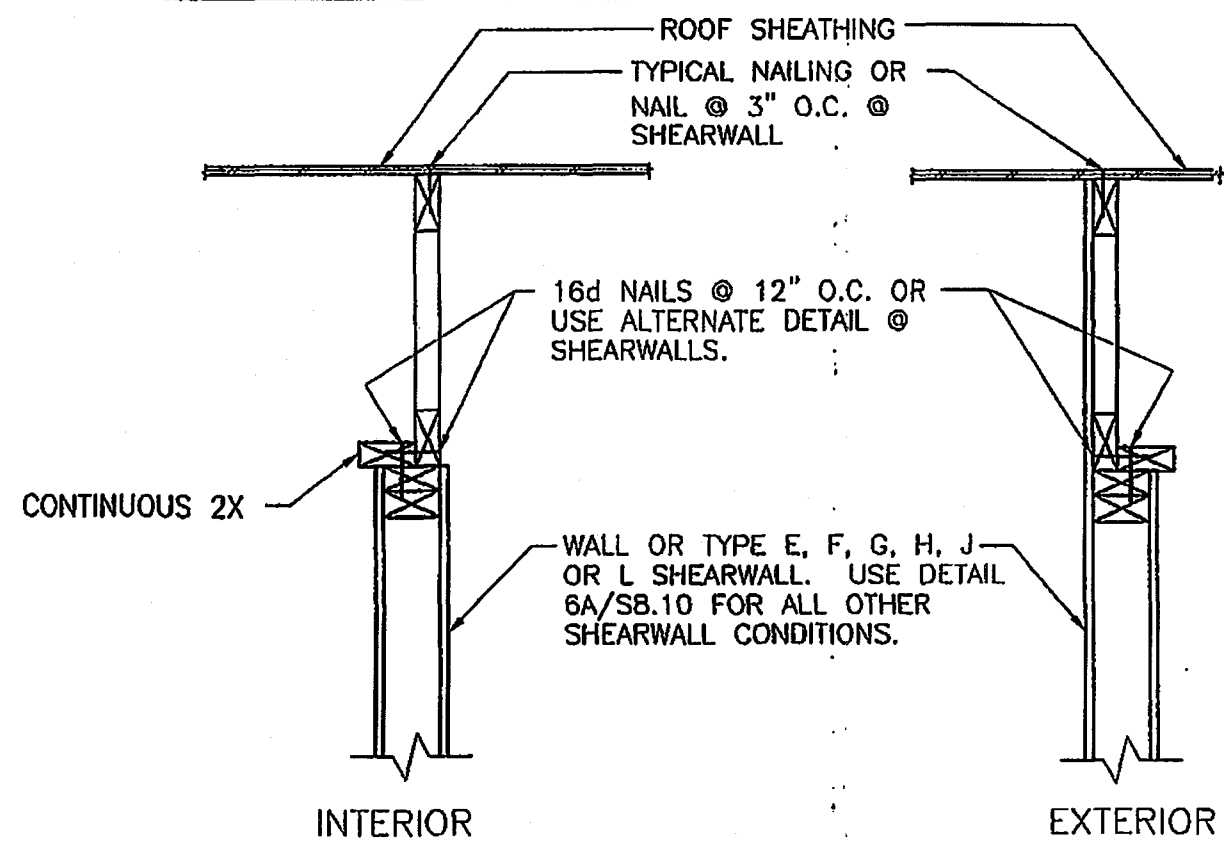
2

CONNECTION NOTE:
"HURRIBOLT" STRUCTURAL FASTENING SYSTEM USED IN CONJUNCTION WITH "SIMPSON" SYSTEM, AS APPROVED BY SCA (STRUCTURAL CONSULTING ENGINEERS) AND BUILDING DEPT. OF MANATEE CO.



ALTERNATE TO DETAIL 4

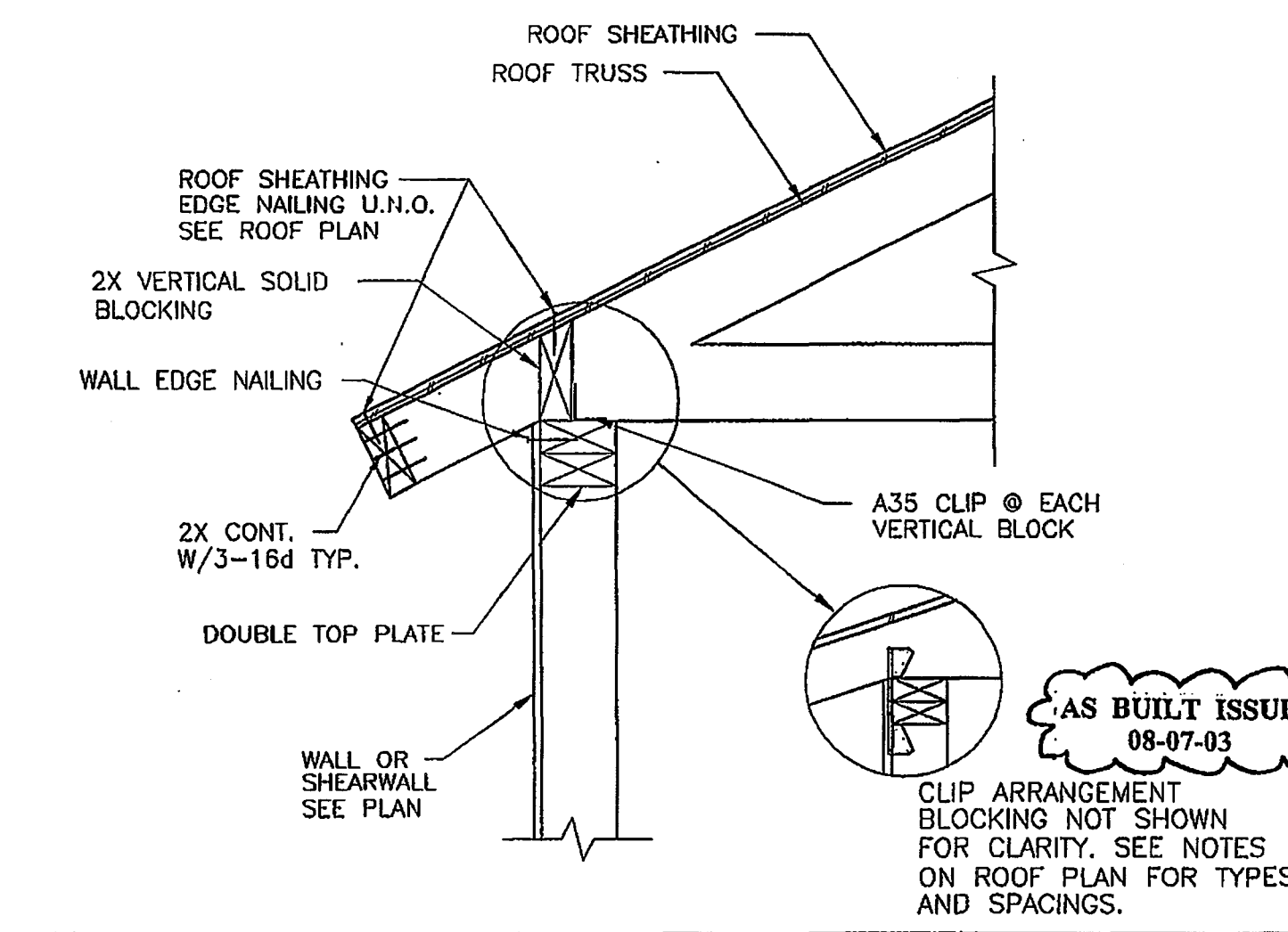
NOTE:
ROOF TRUSSES ABOVE SHEAR WALLS SHALL BE DESIGNED FOR DRAG FORCE (D.F.) LOADS INDICATED ON ROOF PLANS. WHERE DRAG LOADS ARE NOT SHOWN, TRUSS SHALL BE DESIGNED FOR 360plf LATERAL LOAD.



ROOF TRUSS PARALLEL W/WALL

4

NOTE:
USE THIS DETAIL FOR NONSHEARWALLS AND TYPE E, F, G, H, J OR L SHEARWALLS. USE ALTERNATE DETAIL 4/S8.10 FOR ALL OTHER SHEARWALLS.



BLOCKING DETAIL

1

AS BUILT ISSUE
08-07-03

CLIP ARRANGEMENT BLOCKING NOT SHOWN FOR CLARITY. SEE NOTES ON ROOF PLAN FOR TYPES AND SPACINGS.

Project
CAROLINA LANDINGS APARTMENTS
MANATEE COUNTY, FLORIDA
TOWNHOME RENTAL COMMUNITY



CORPORATE OFFICE
10101 Southwest Freeway, Suite 000
Houston, Texas 77074-1126
713.779.7252 1.800.422.7252
FAX: 713.779.1173
e-mail: sca@scatouston.com
Louisville, Kentucky 502.426.0789
Orlando, Florida 407.893.8200

ISSUE DATES	
Review Issue	xxxxx
Bid Issue	12-10-2001
Permit Issue	12-10-2001
Construction Issue	03-12-2002

Revisions
02-07-2002 REISSUE FOR PERMIT-AMENITY

Drawn	ES/CJR	Project	21510
Drawn	BA	Sheet	S8.10
Check	MLS		
Date	03-12-2002		