


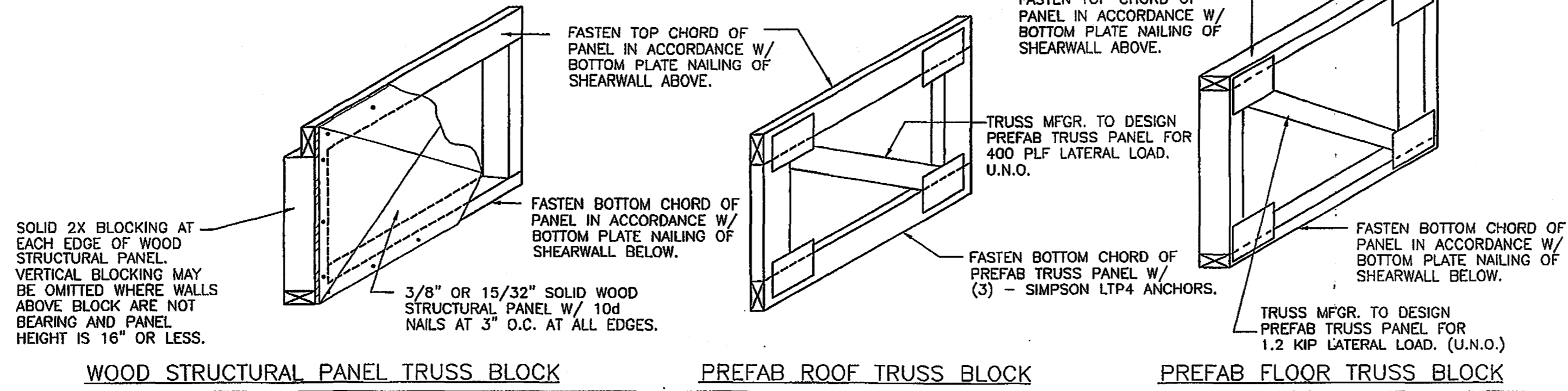


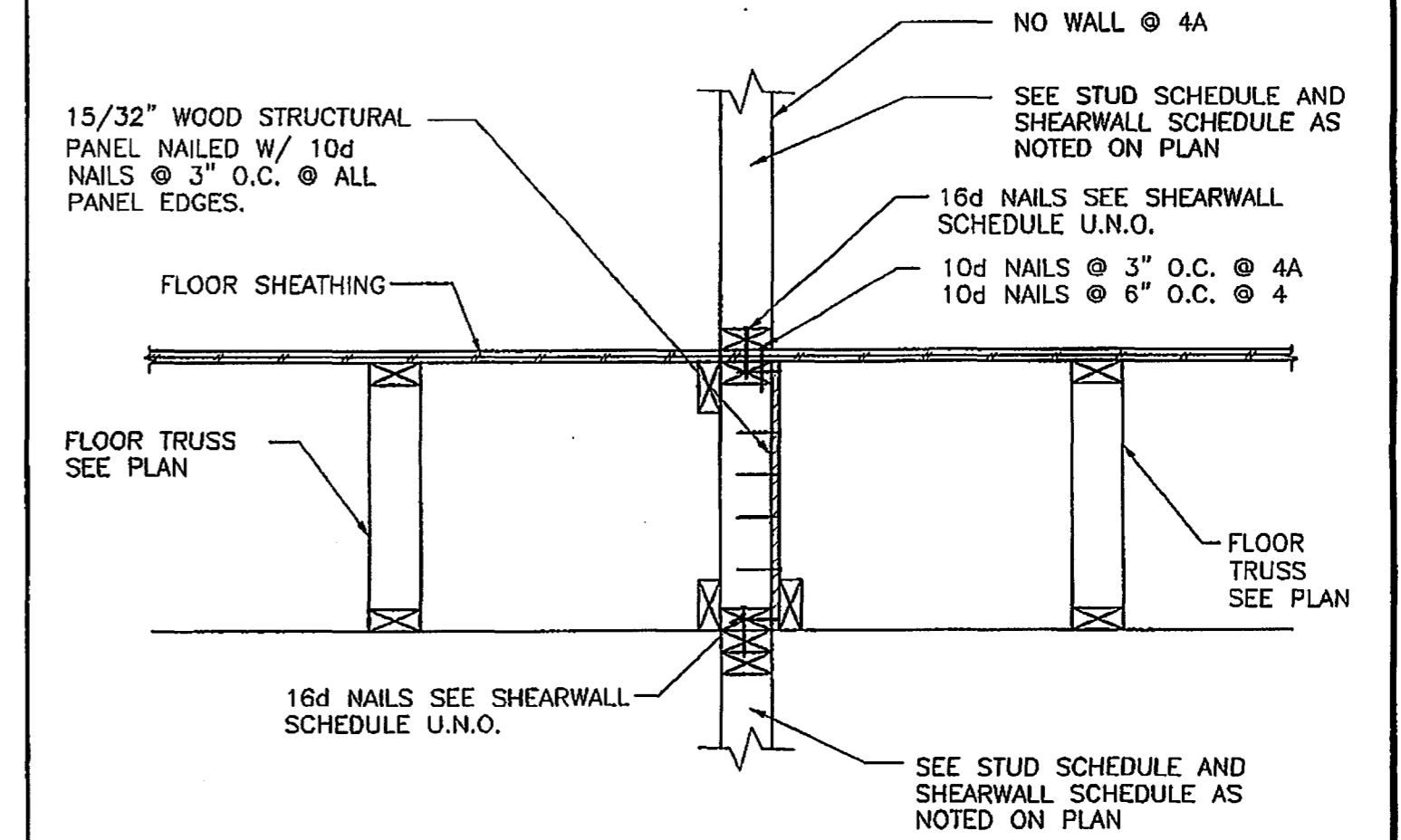
- NOTES:**
1. TRUSS BLOCK MAY CONSIST OF EITHER A WOOD STRUCTURAL PANEL OR PREFAB TRUSS BLOCK - INSTALL AND FASTEN AS SHOWN U.N.O.
  2. TOP CHORD OF WOOD STRUCTURAL PANEL MUST BE VERTICAL  WHEN INSTALLED UNDER LOAD BEARING WALLS. OTHERWISE TOP CHORD MAY BE VERTICAL  OR HORIZONTAL .
  3. TRUSS MANUFACTURER TO DESIGN PREFAB TRUSS BLOCK FOR LATERAL FORCE AS NOTED BELOW.



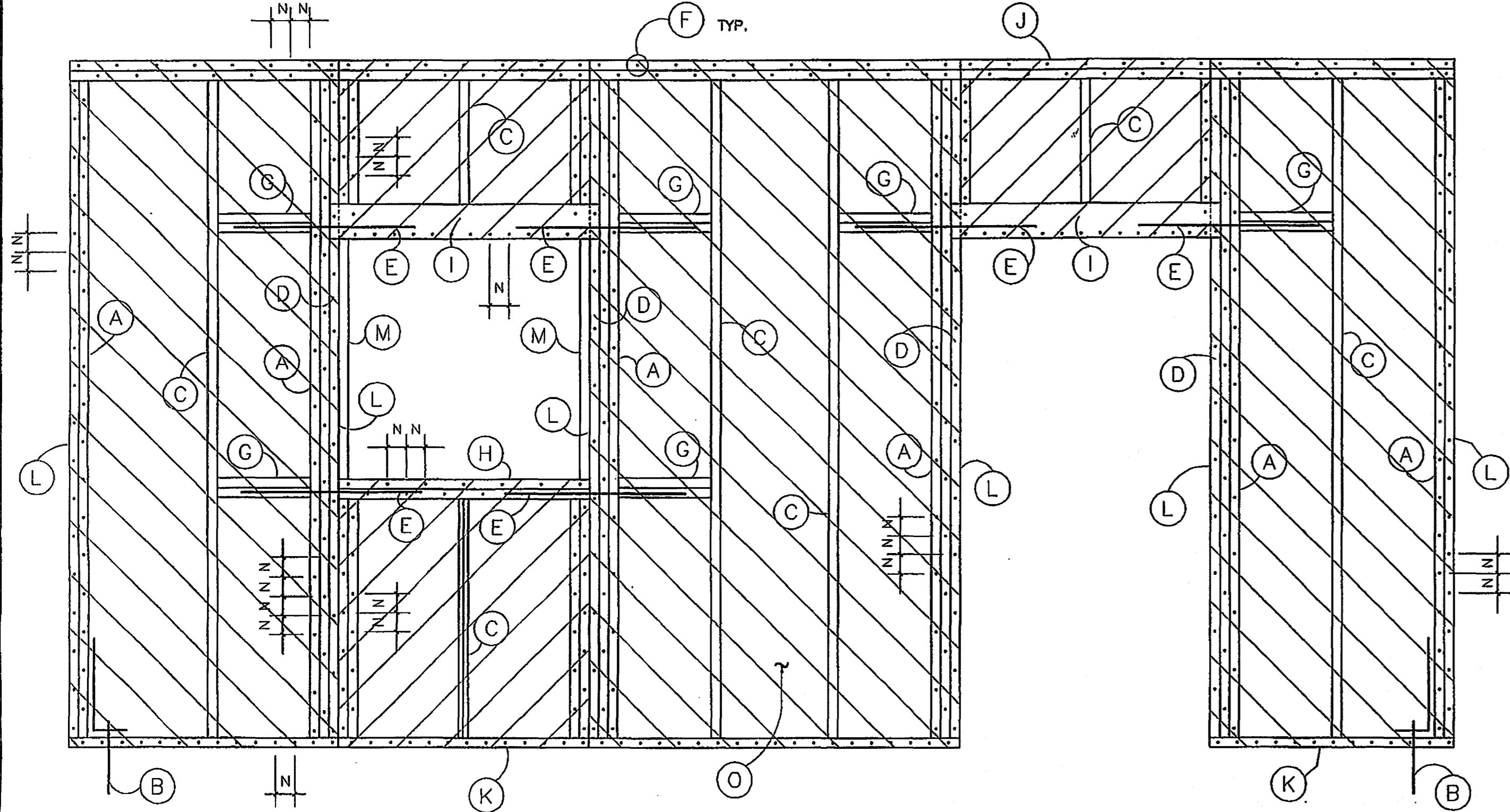
**TRUSS BLOCK**

8

**FLOOR FRAMING • SHEARWALL 4A 4**



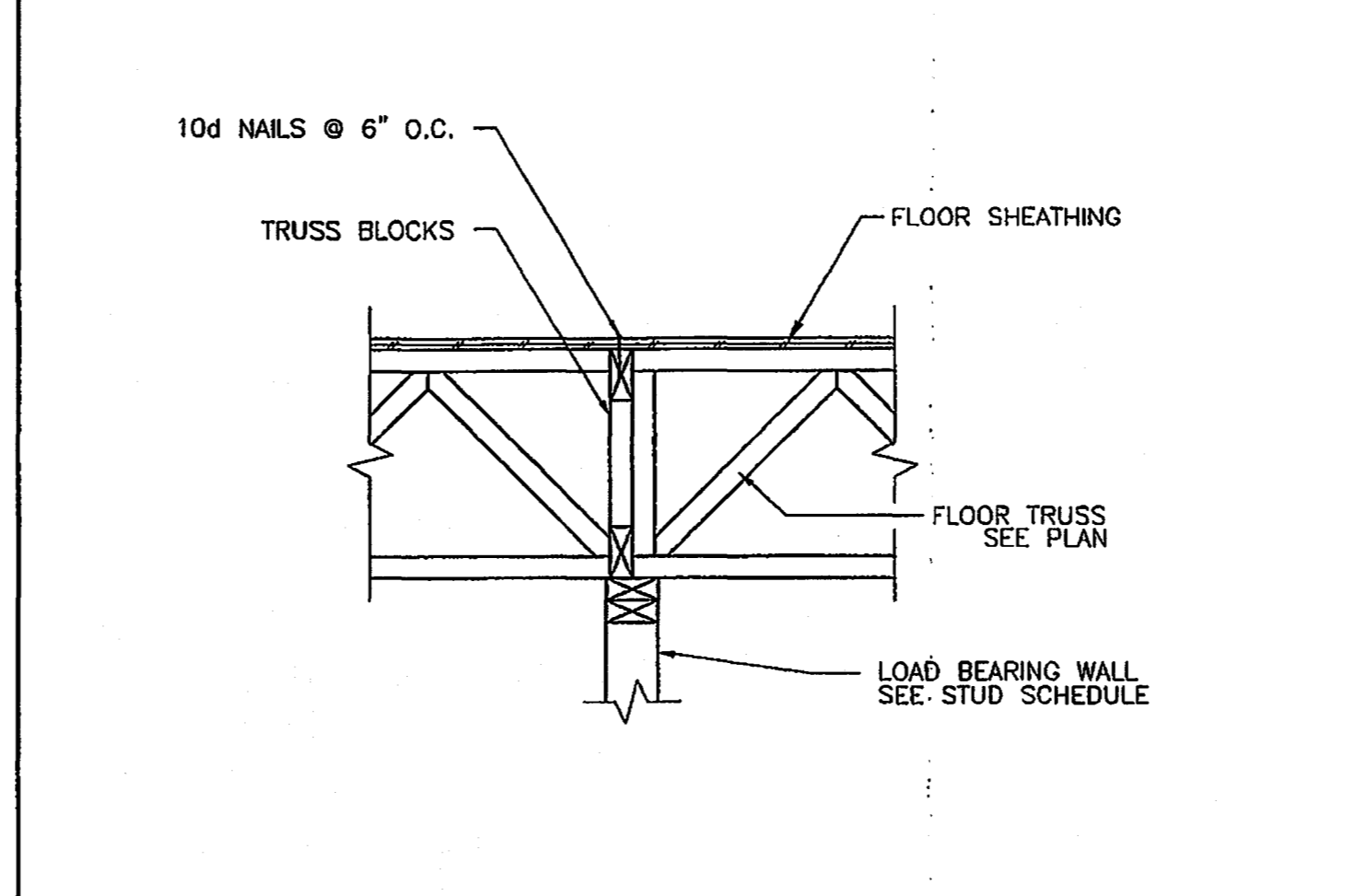
**NOTE:**  
 1. SEE SHEET S9.03 FOR ADDITIONAL SHEATHING, BLOCKING, AND NAILING REQUIREMENTS AND SHEARWALL LOCATIONS.



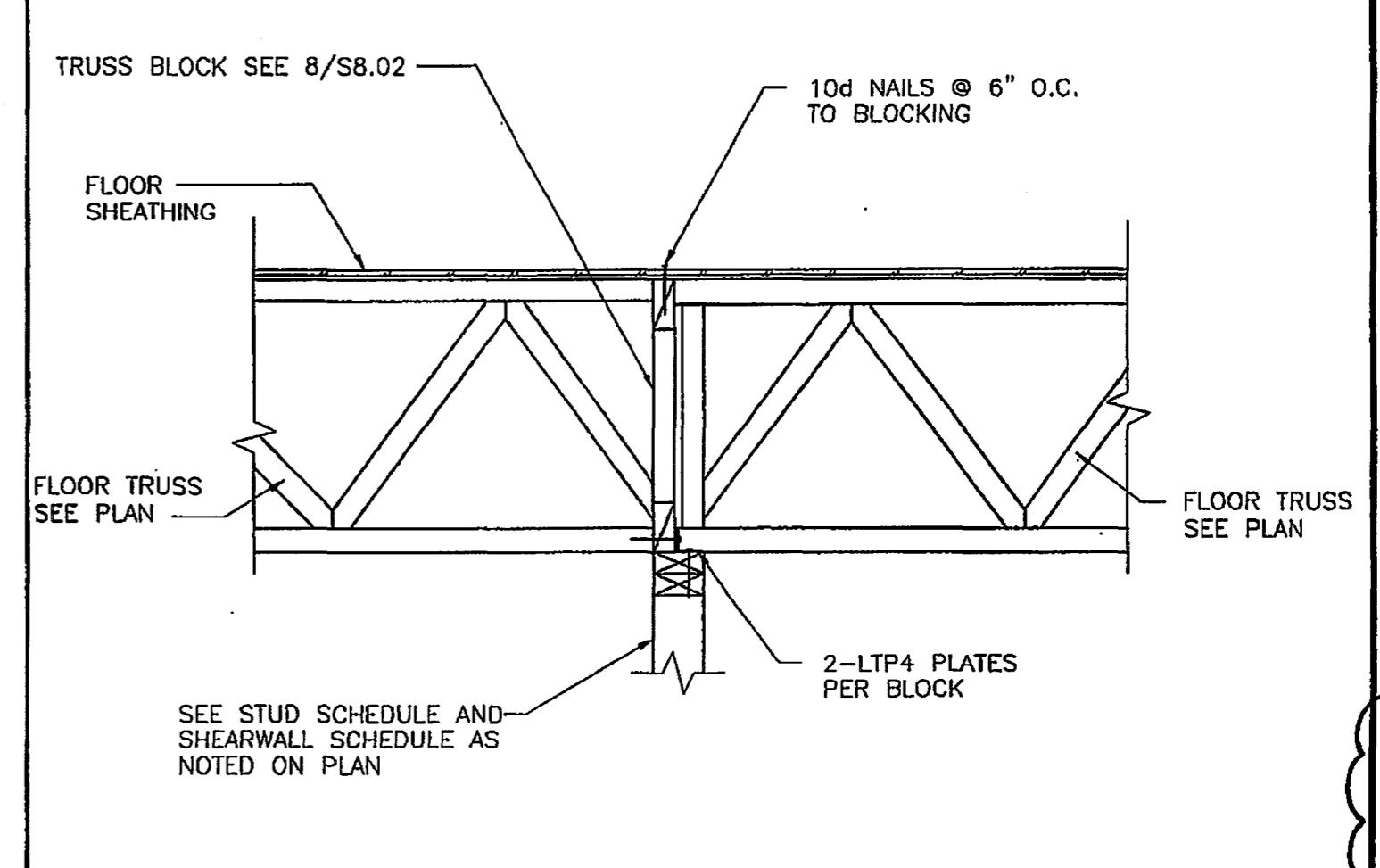
- A SHEARWALL END STUDS (KING STUDS @ OPENINGS). NAIL THESE STUDS TOGETHER WITH SHEARWALL BOTTOM PLATE NAILING (2 STUDS MIN.). EDGE NAIL WOOD STRUCTURAL PANEL SHEARWALL TO THESE STUDS.
- B SHEARWALL ANCHORS OR STRAPS.
- C TYPICAL STUDS (OR JACK STUDS) @ 16" O.C. MAX. SPACING. FIELD NAIL WOOD STRUCTURAL PANEL SHEARWALLS TO STUDS. EDGE NAIL AT PANE EDGES.
- D TRIMMER STUDS, CONTINUE EDGE NAILING FROM KING STUDS AND NAIL STUDS TOGETHER WITH SHEARWALL BOTTOM PLATE NAILING.
- E CS16 X 28" STRAP WITH 11-10d NAILS IN BLOCKING AND HEADER OR WINDOW PLATE.
- F SHEARWALL EDGE NAILING.
- G 2-2X BLOCKING (WIDTH TO MATCH STUDS).
- H WINDOW PLATE (2-2X MIN., WIDTH TO MATCH STUD).
- I HEADER (2-2 X 6 MIN.) WITH SHEARWALL EDGE NAILING.
- J DOUBLE TOP PLATE WITH SHEARWALL EDGE NAILING.
- K BOTTOM PLATE WITH SHEARWALL EDGE NAILING AND BOLTED OR NAILED TO BELOW.
- L WOOD STRUCTURAL PANEL EDGE.
- M 2X BLOCK BETWEEN HEADER AND WINDOW PLATE. NAIL TO TRIMMER WITH 16d NAILS @ 6" O.C.
- N SHEARWALL EDGE NAILING SPACING.
- O SHEARWALL PANEL.

**TYPICAL COMPONENTS FOR SHEARWALLS WITH OPENINGS**

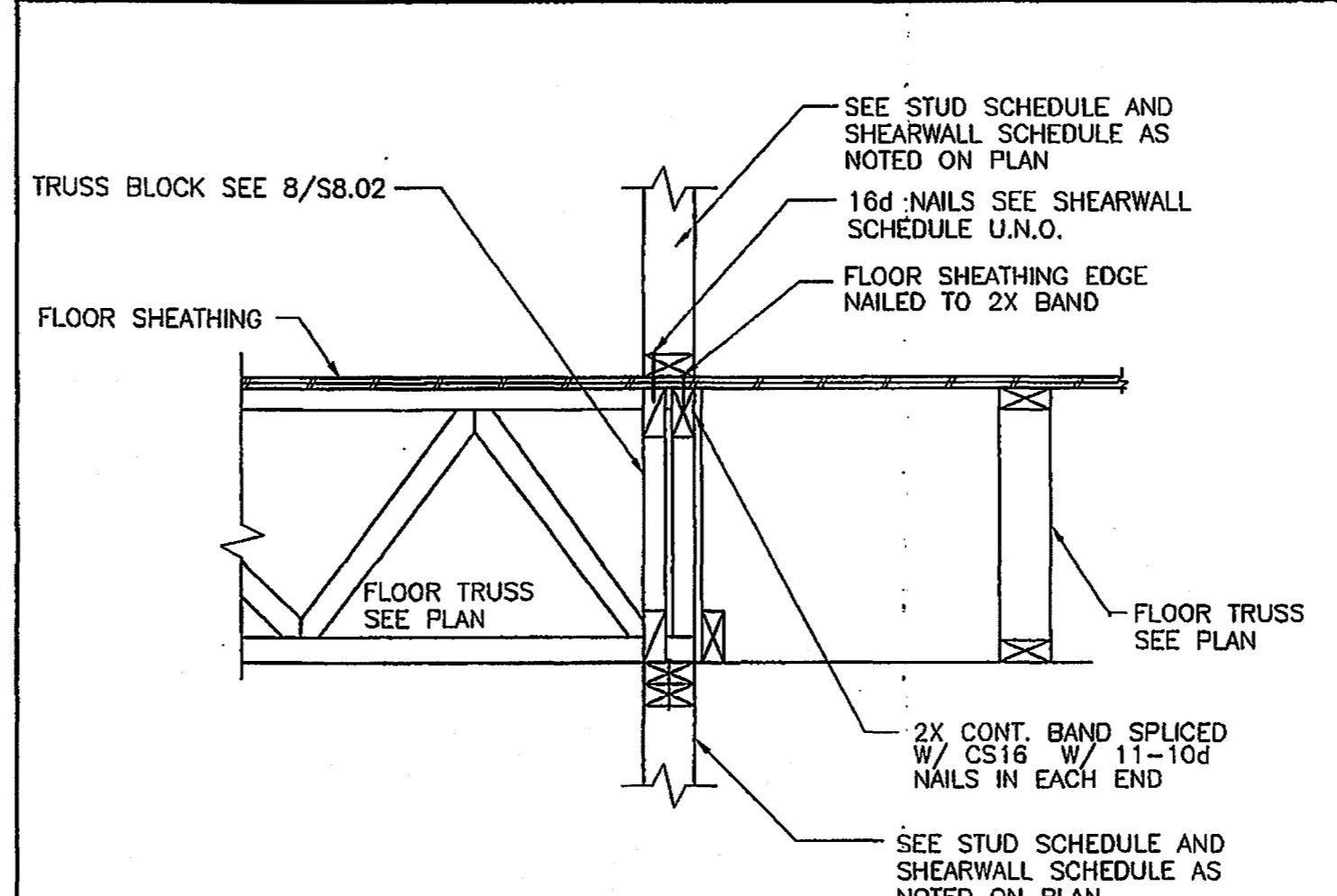
10



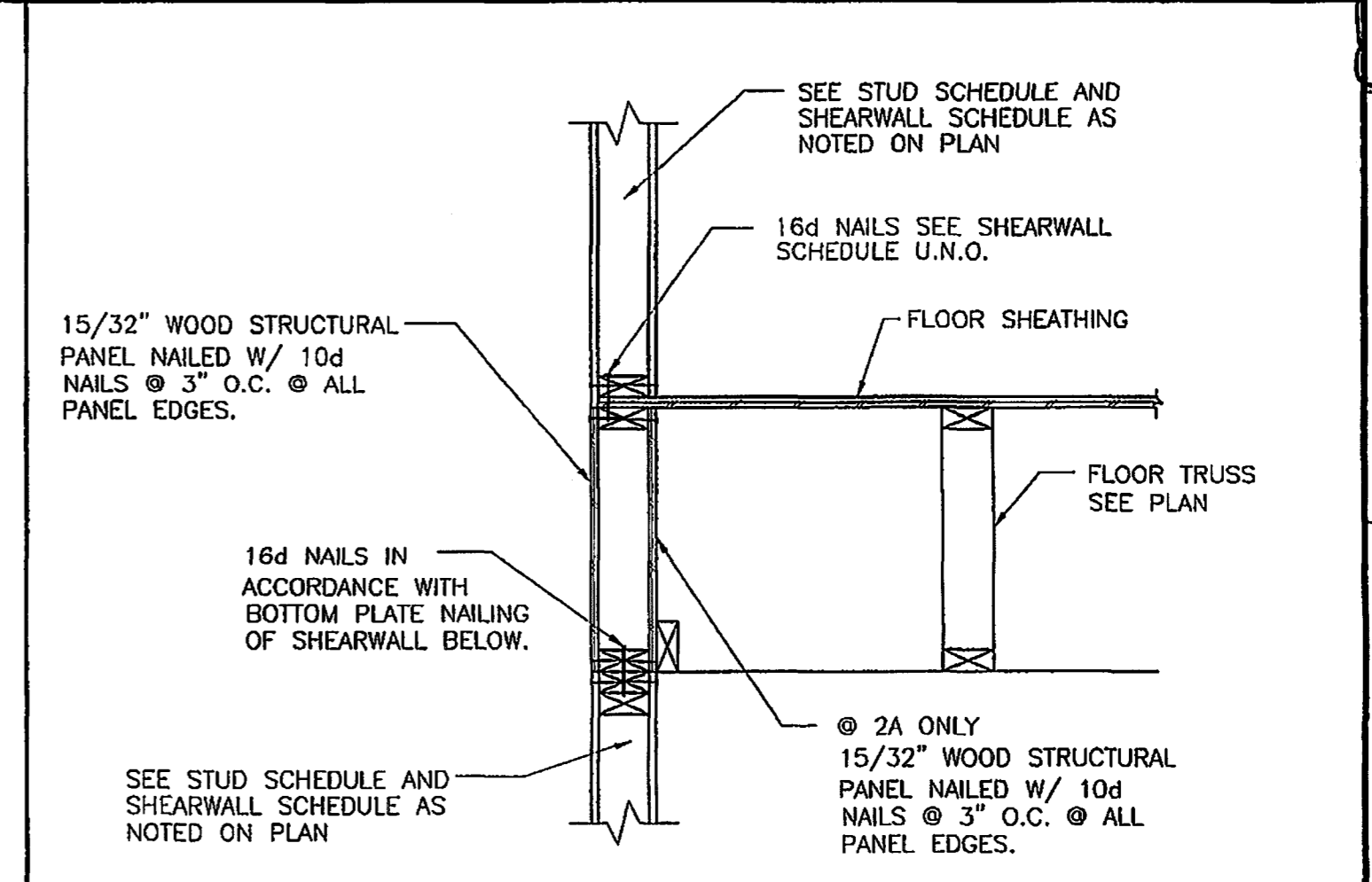
**TRUSS CANT./ CONT. • INT. BEARING WALL 7**



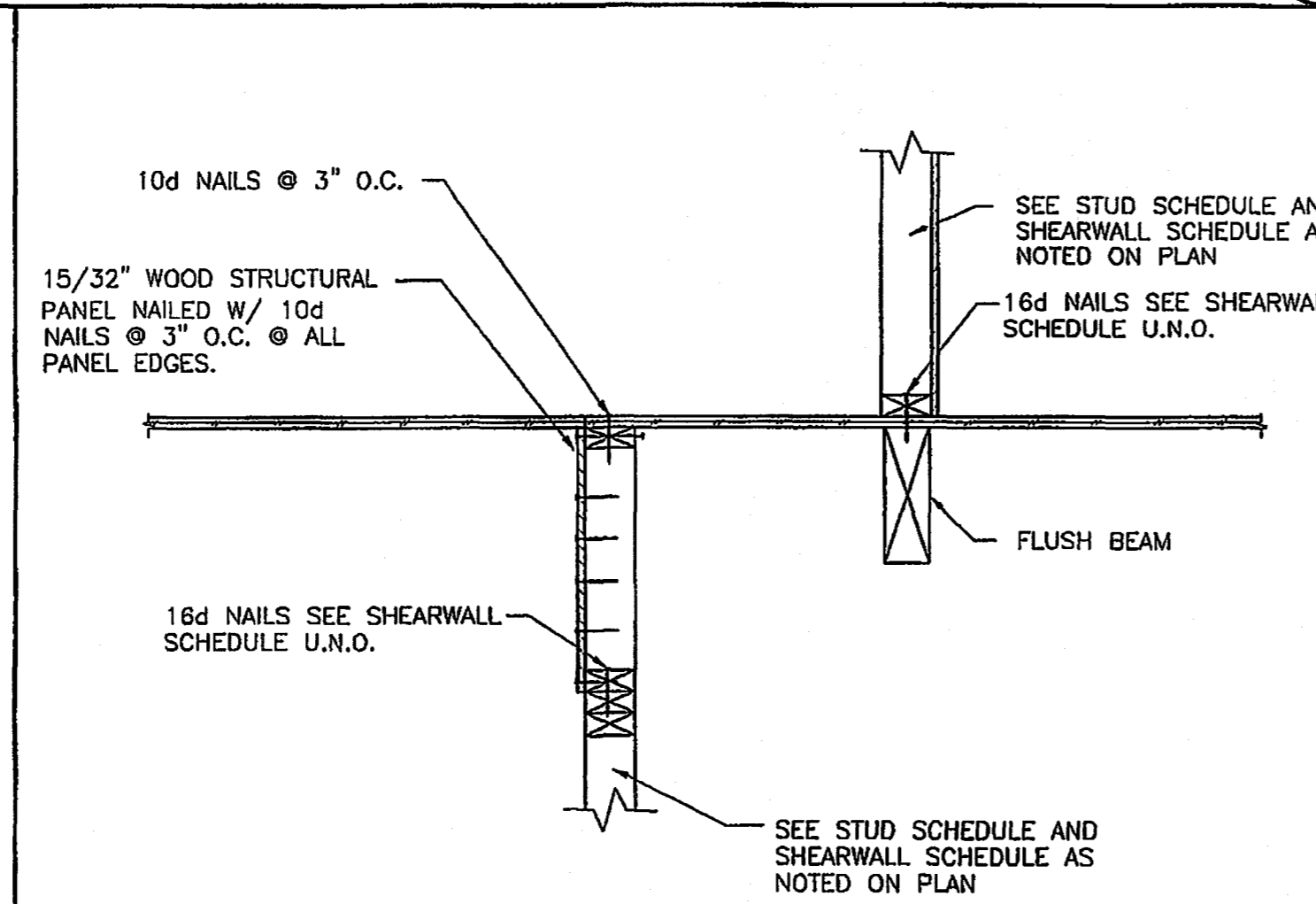
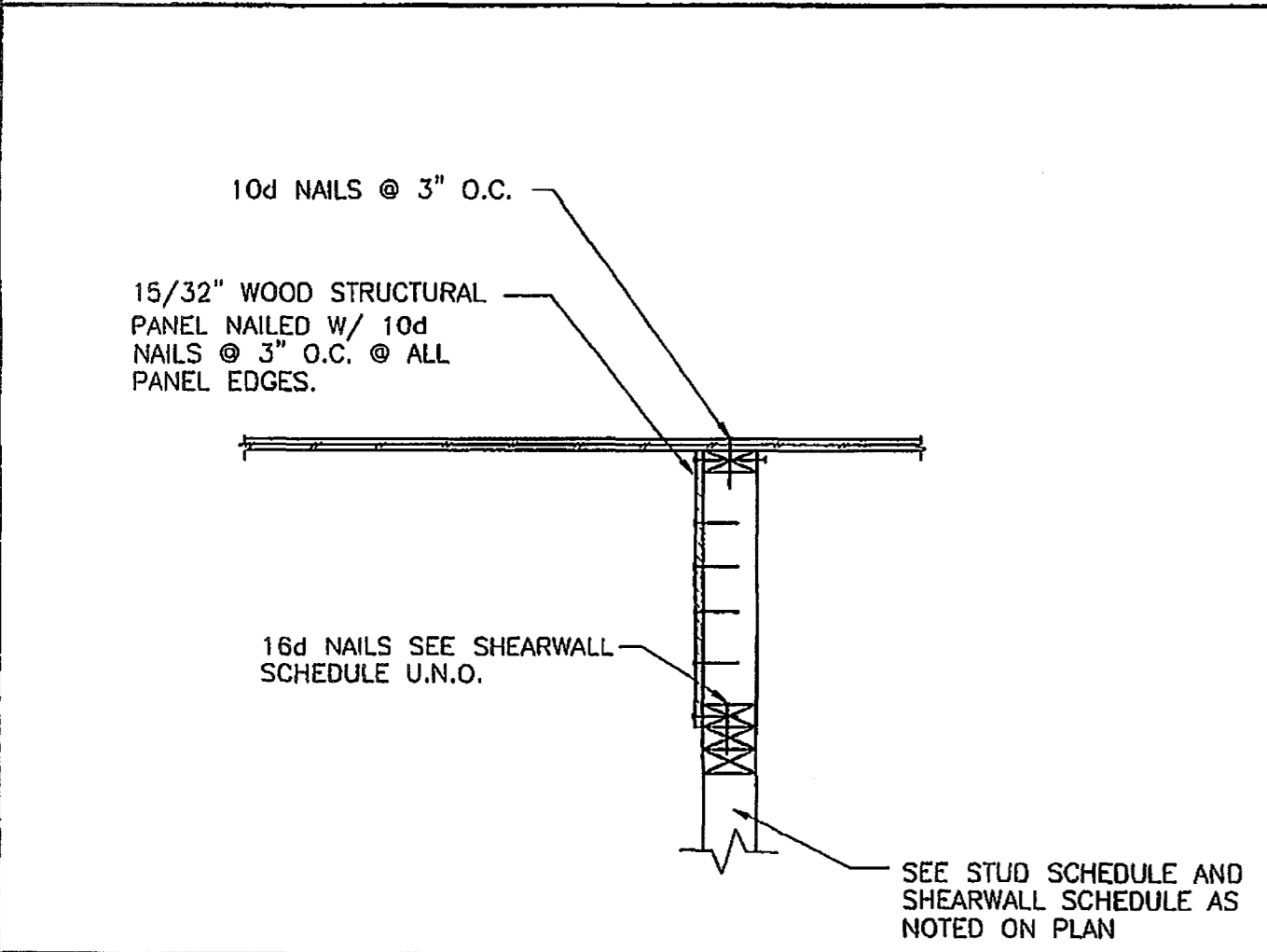
**FLOOR FRAMING ABOVE SHEARWALL 3**



**FLOOR FRAMING ABOVE SHEARWALL 6**

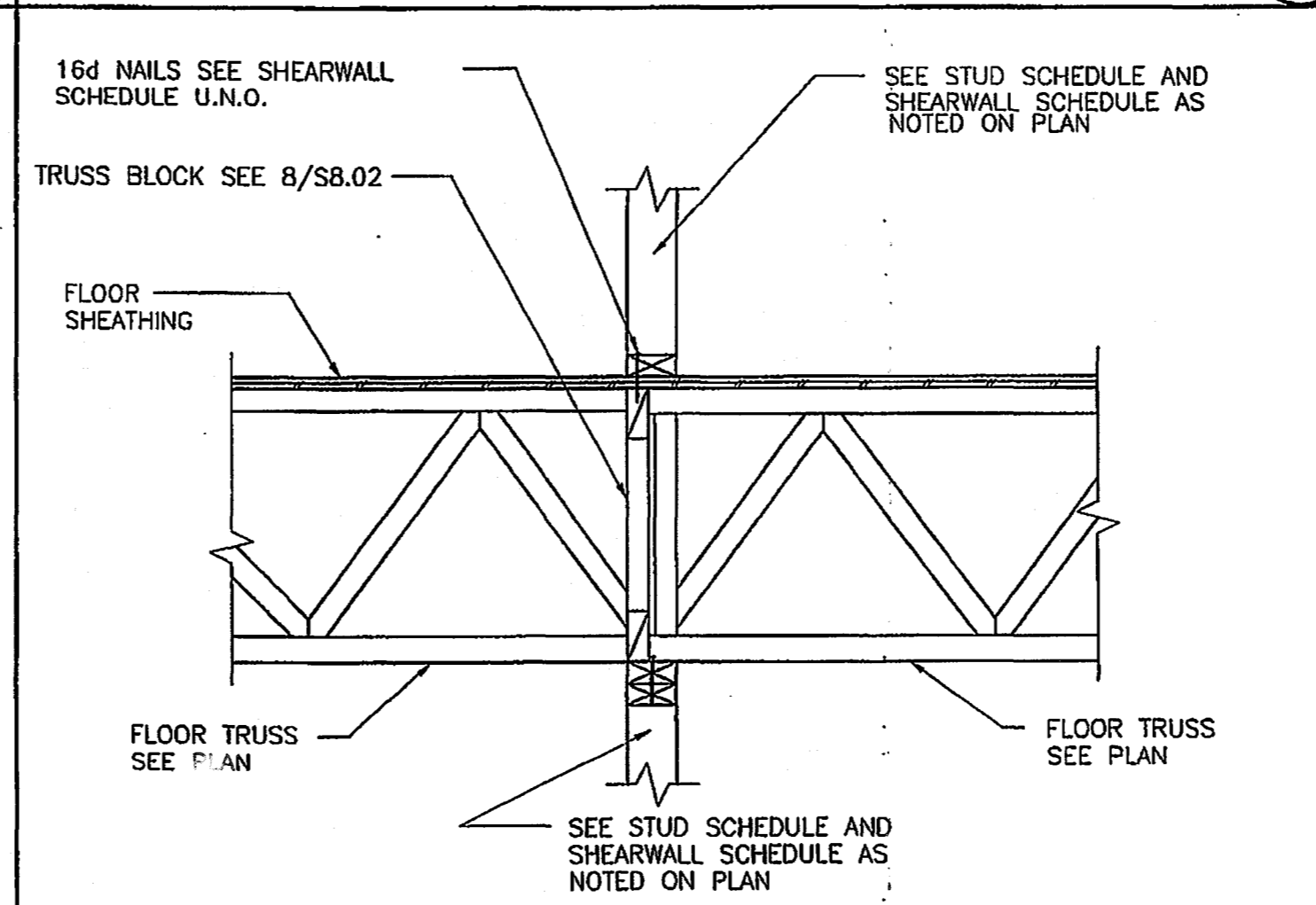


**TRUSS ON EXT. SHEARWALL 2A 2**

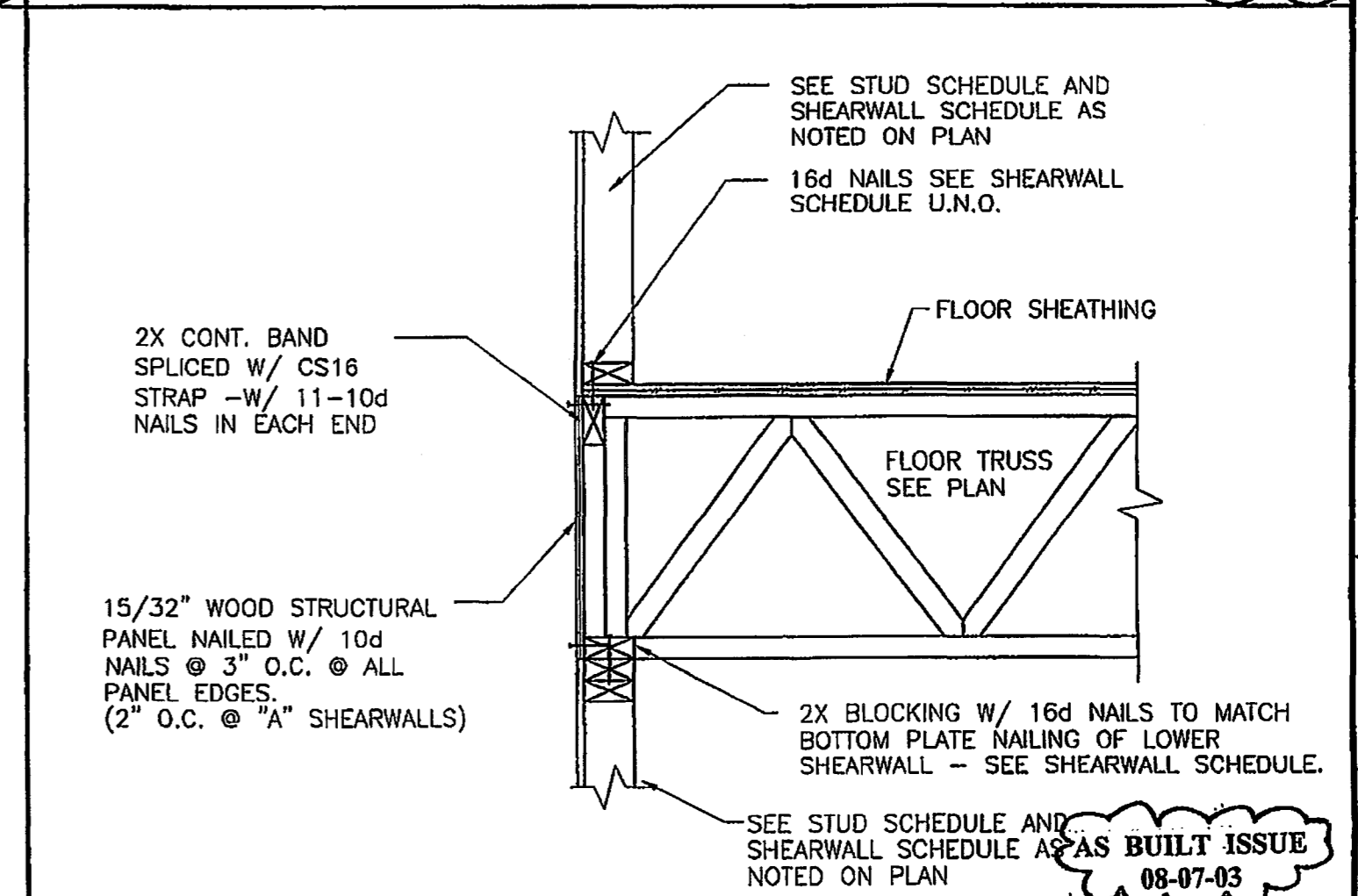


**OFFSET SHEARWALL**

9



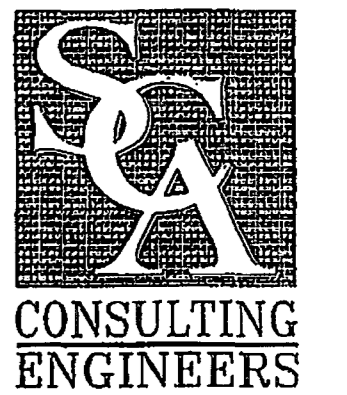
**FLOOR FRAMING ABOVE SHEARWALL 5**



**TRUSS • EXT. BEARING SHEARWALL 1**

**CONNECTION NOTE:**  
 "HURRIBOLT" STRUCTURAL FASTENING SYSTEM USED IN CONJUNCTION WITH "SIMPSON" SYSTEM, AS APPROVED BY SCA (STRUCTURAL CONSULTING ENGINEERS) AND BUILDING DEPT. OF MANATEE CO.

Project  
**CAROLINA LANDINGS APARTMENTS**  
 MANATEE COUNTY, FLORIDA  
 TOWNHOME RENTAL COMMUNITY



CORPORATE OFFICE  
 10101 Southwest Freeway, Suite 600  
 Houston, Texas 77074-1128  
 713.779.7252 1.800.422.7252  
 FAX: 713.779.1173  
 e-mail: sea@seahouston.com  
 Louisville, Kentucky 502.426.0789  
 Orlando, Florida 407.893.6200

ISSUE DATES	Review Issue xxxxx
	Bid Issue 12-10-2001
	Permit Issue 12-10-2001
	Construction Issue 03-12-2002
Revisions	02-07-2002 REISSUE FOR PERMIT-AMENITY

Drawn ES/CJR	Project 21510
Drawn BA	Sheet
Check MLS	<b>S8.02</b>
Date 03-12-2002	