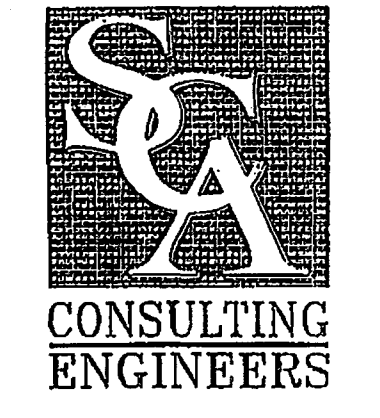


NOTE:
1. SEE SHEET S9.03 FOR ADDITIONAL SHEATHING, BLOCKING, AND NAILING REQUIREMENTS AND SHEARWALL LOCATIONS.

CONNECTION NOTE:
"HURRIBOLT" STRUCTURAL FASTENING SYSTEM USED IN CONJUNCTION WITH "SIMPSON" SYSTEM, AS APPROVED BY SCA (STRUCTURAL CONSULTING ENGINEERS) AND BUILDING DEPT. OF MANATEE CO.

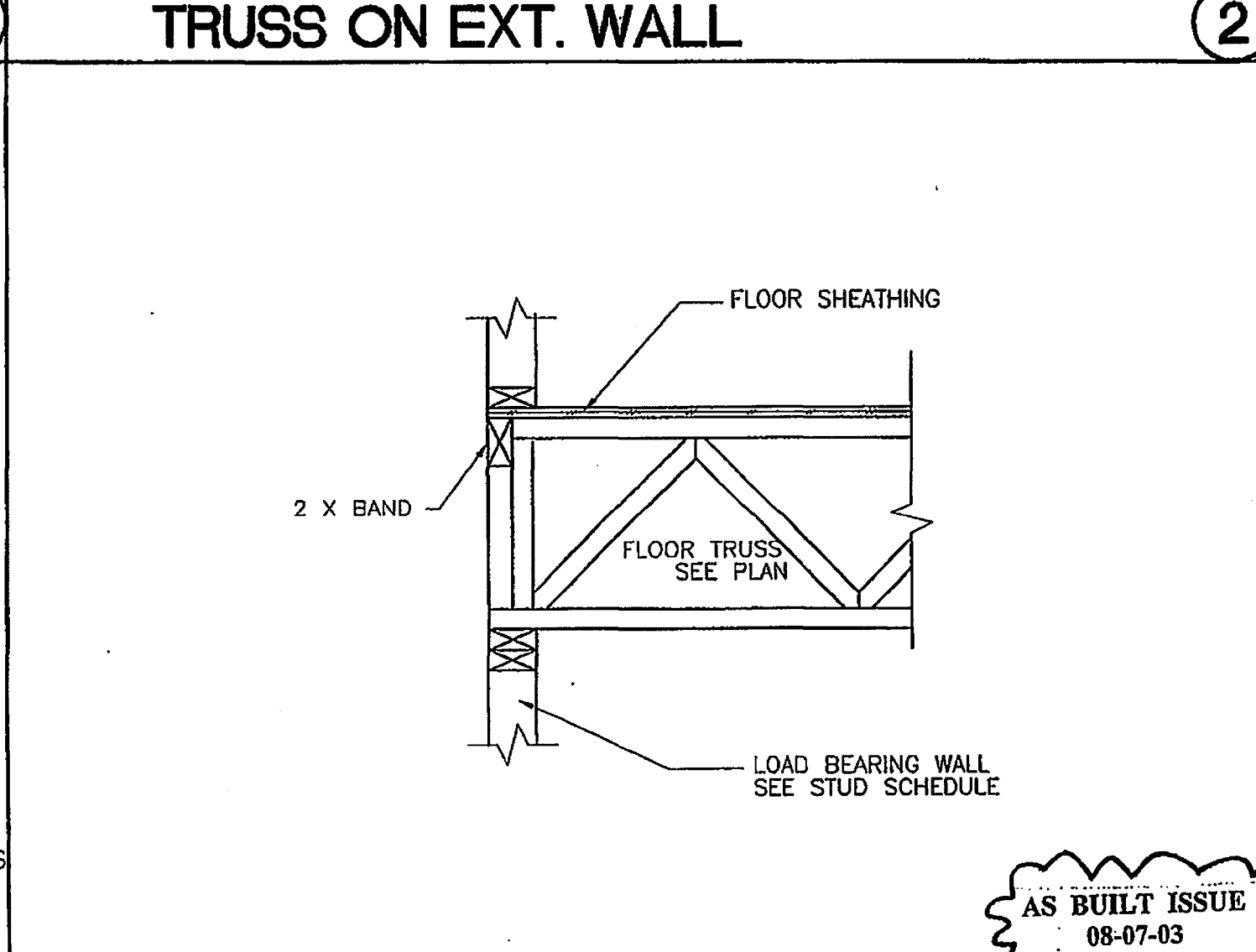
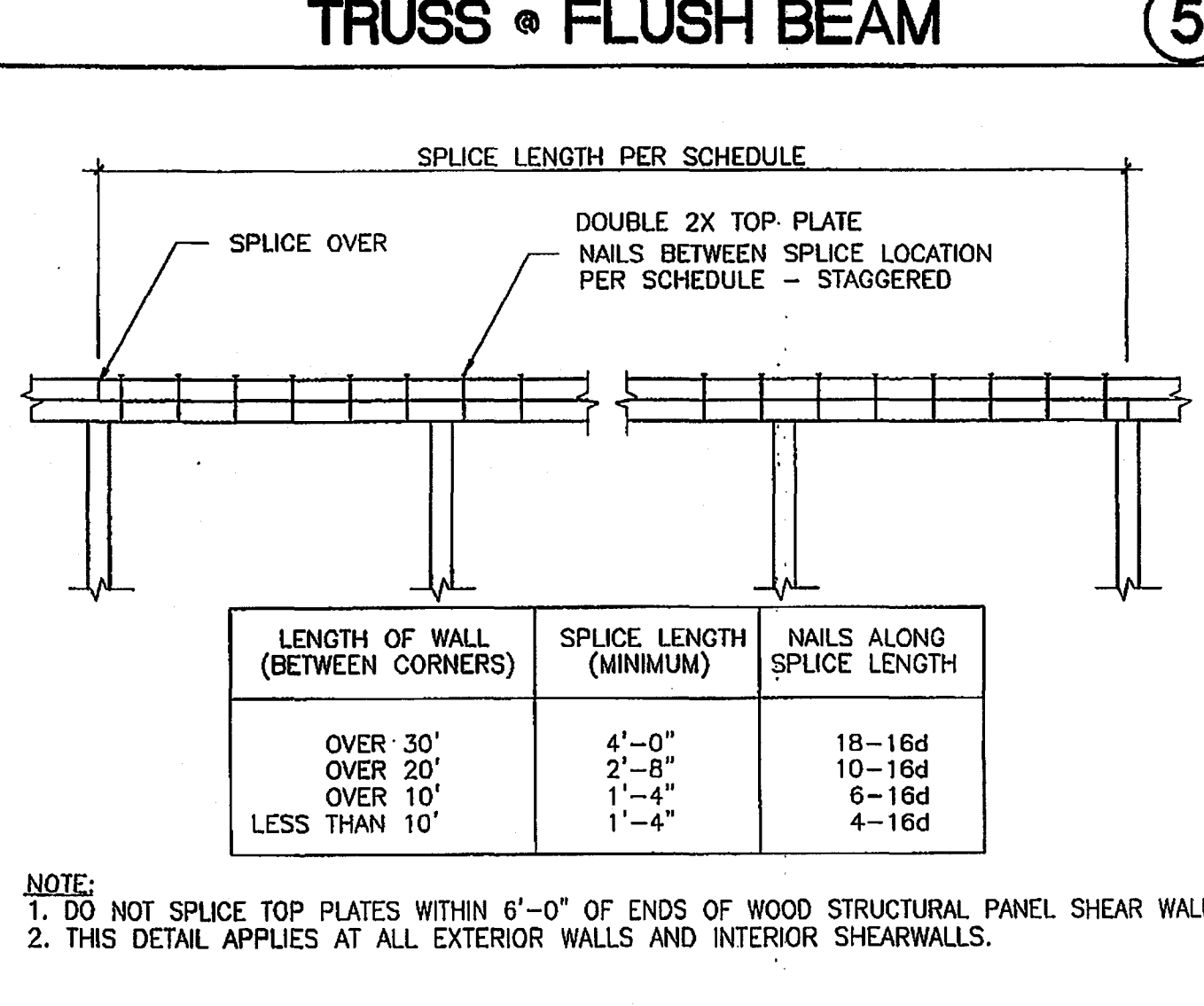
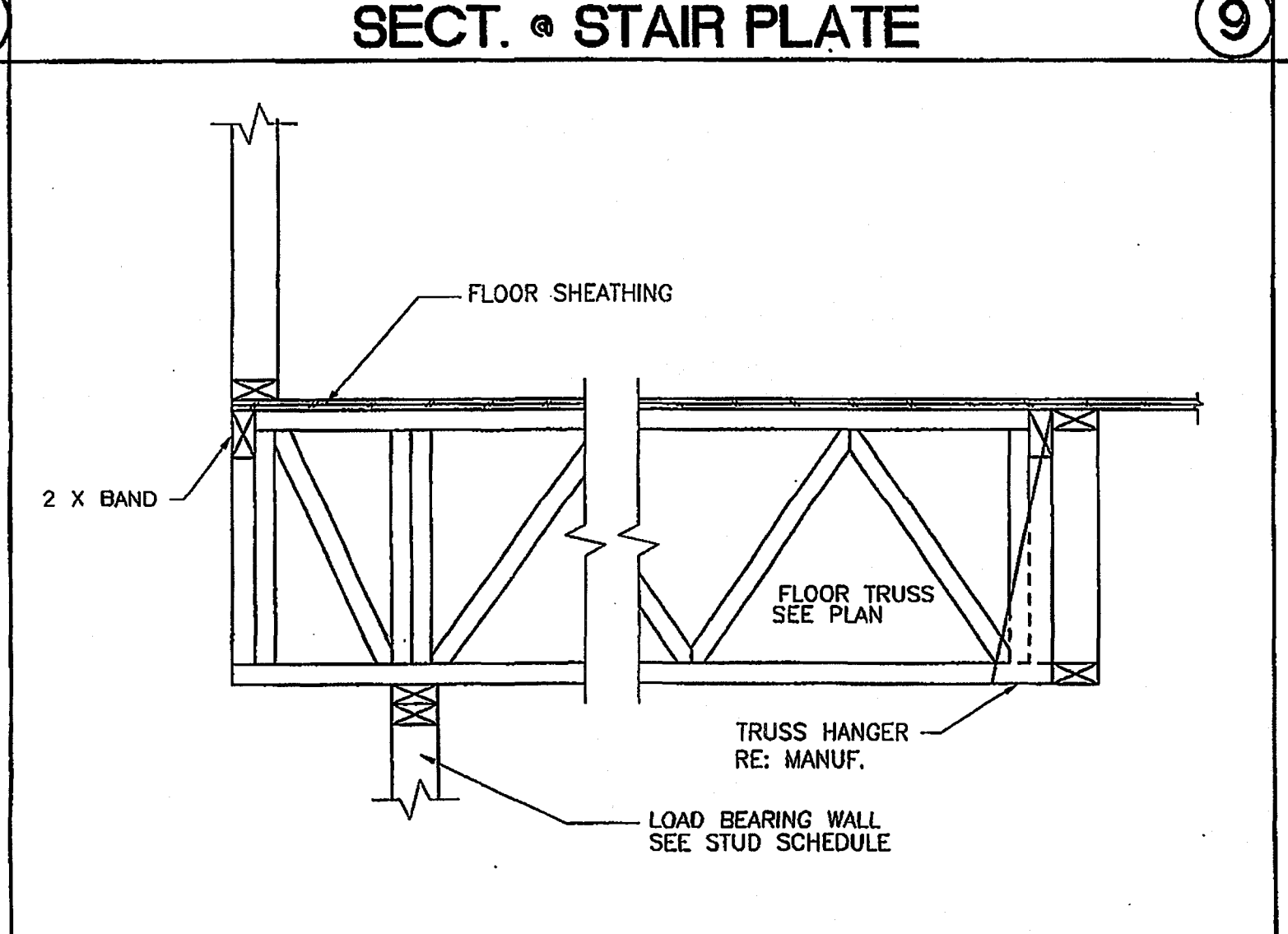
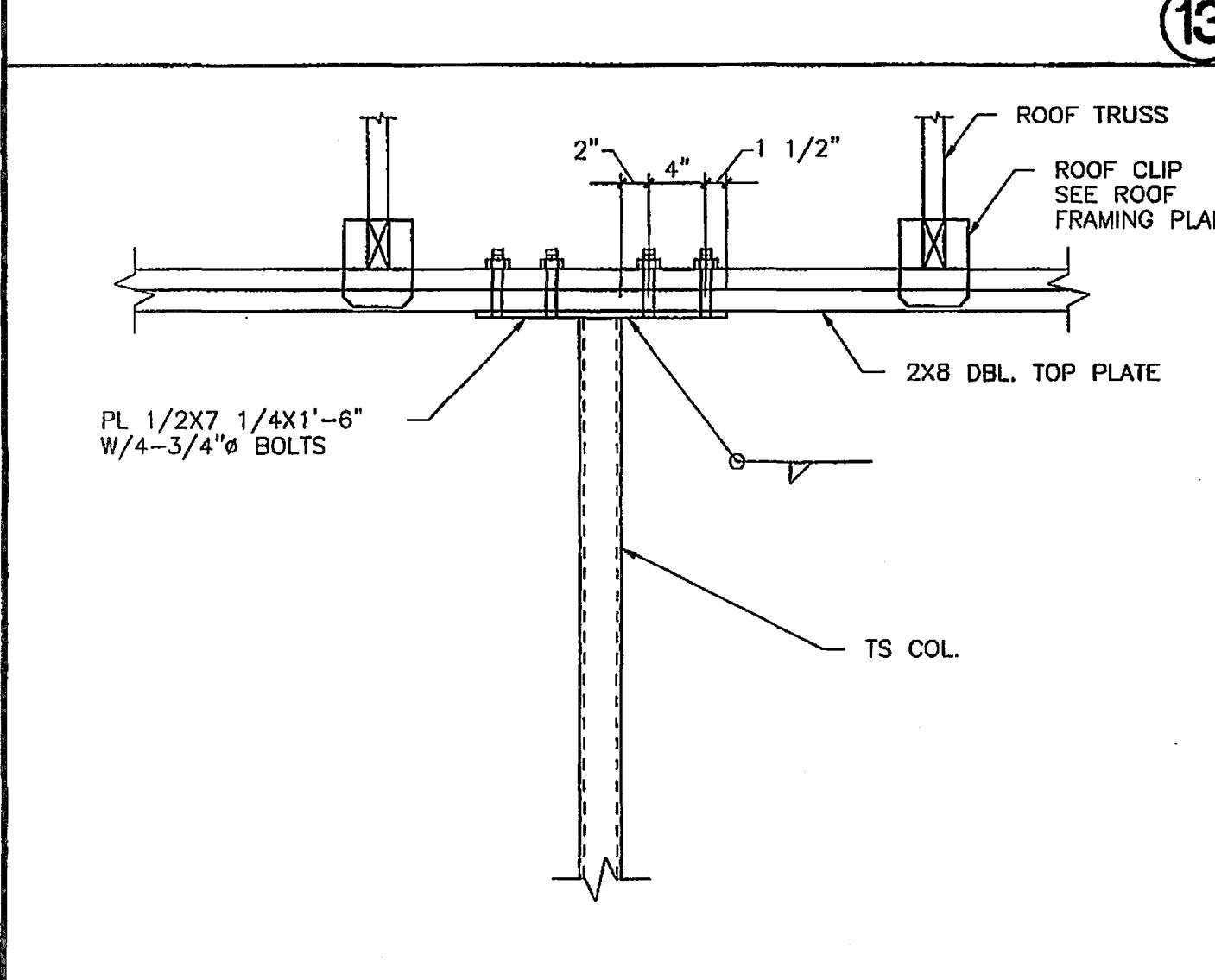
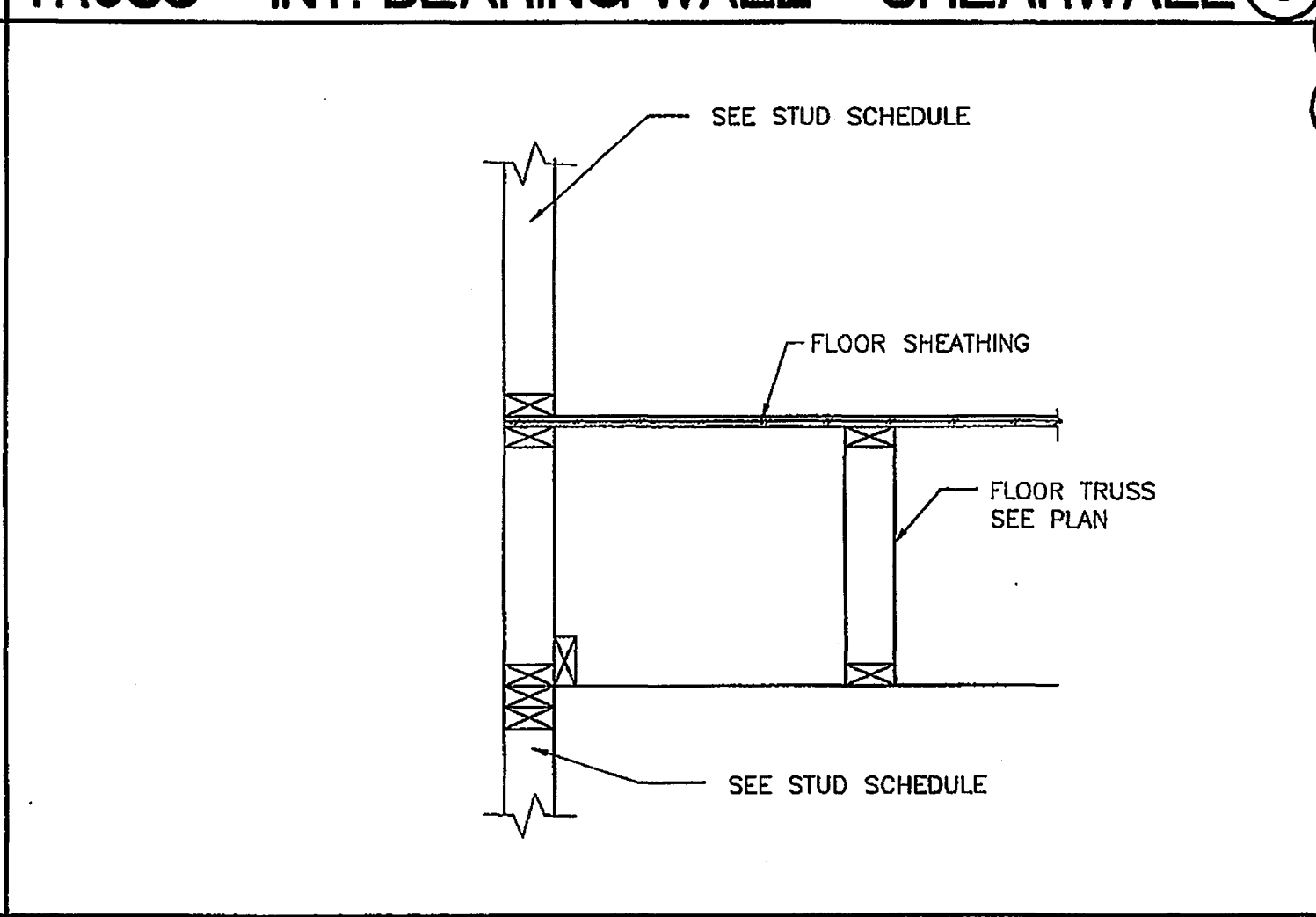
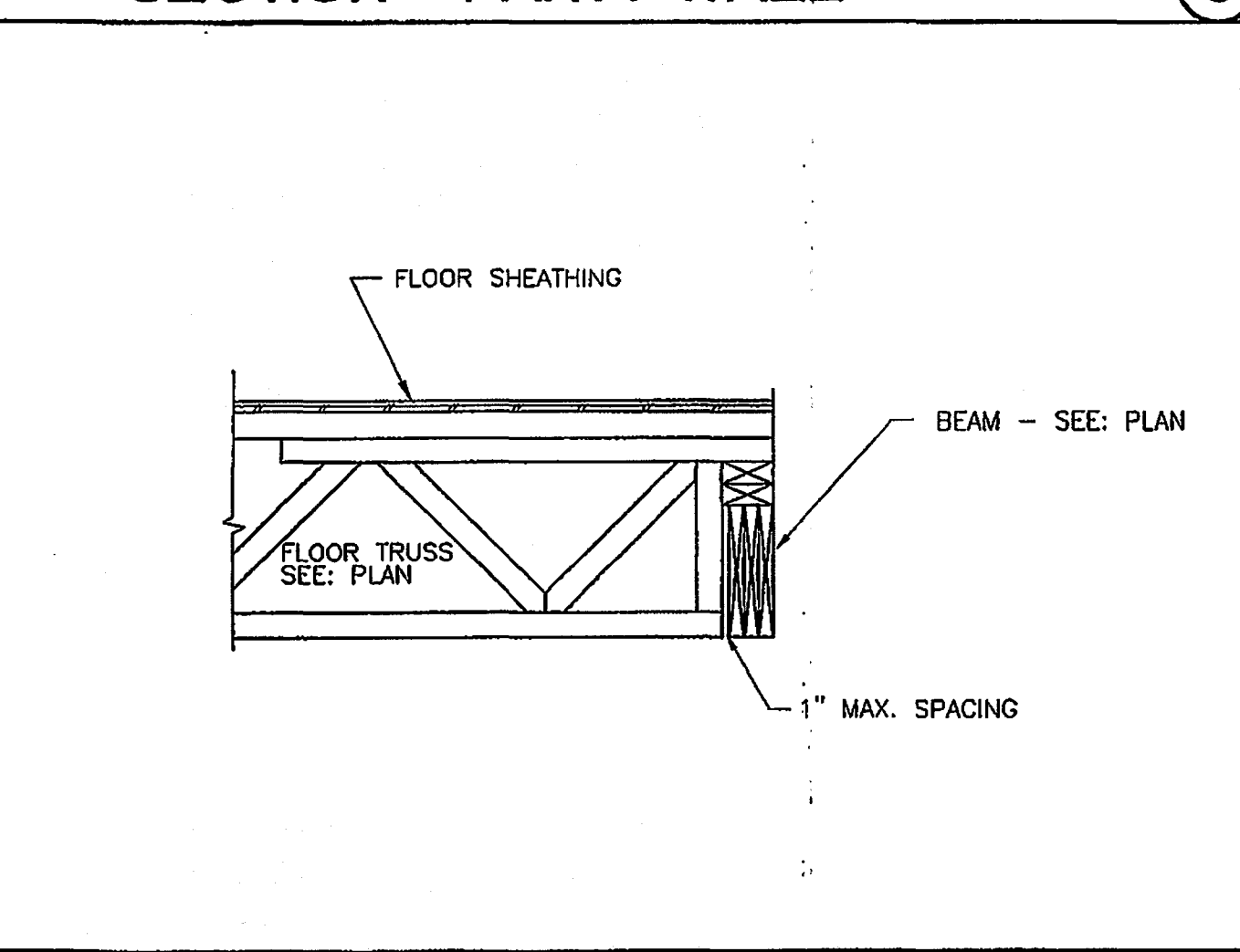
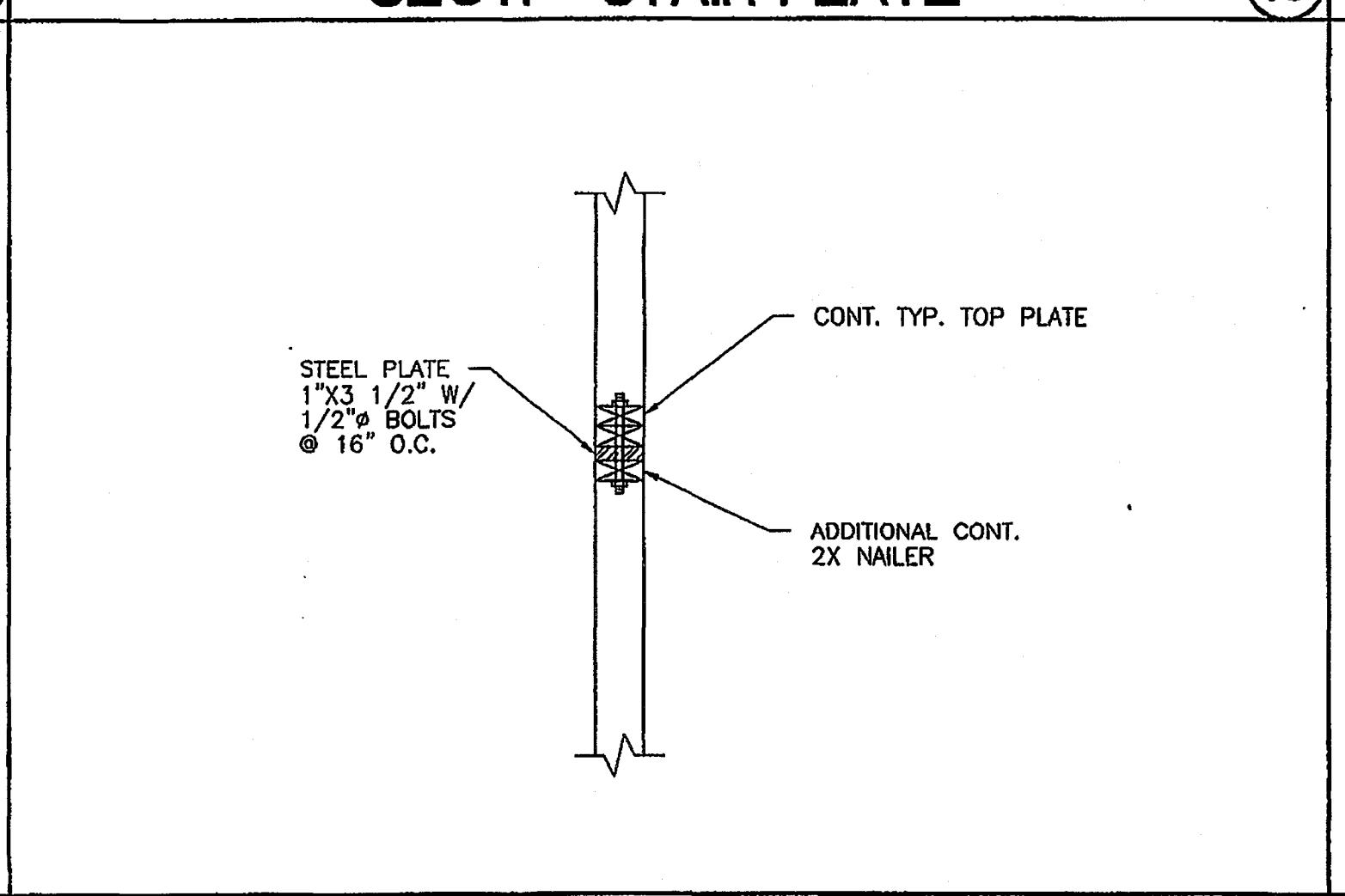
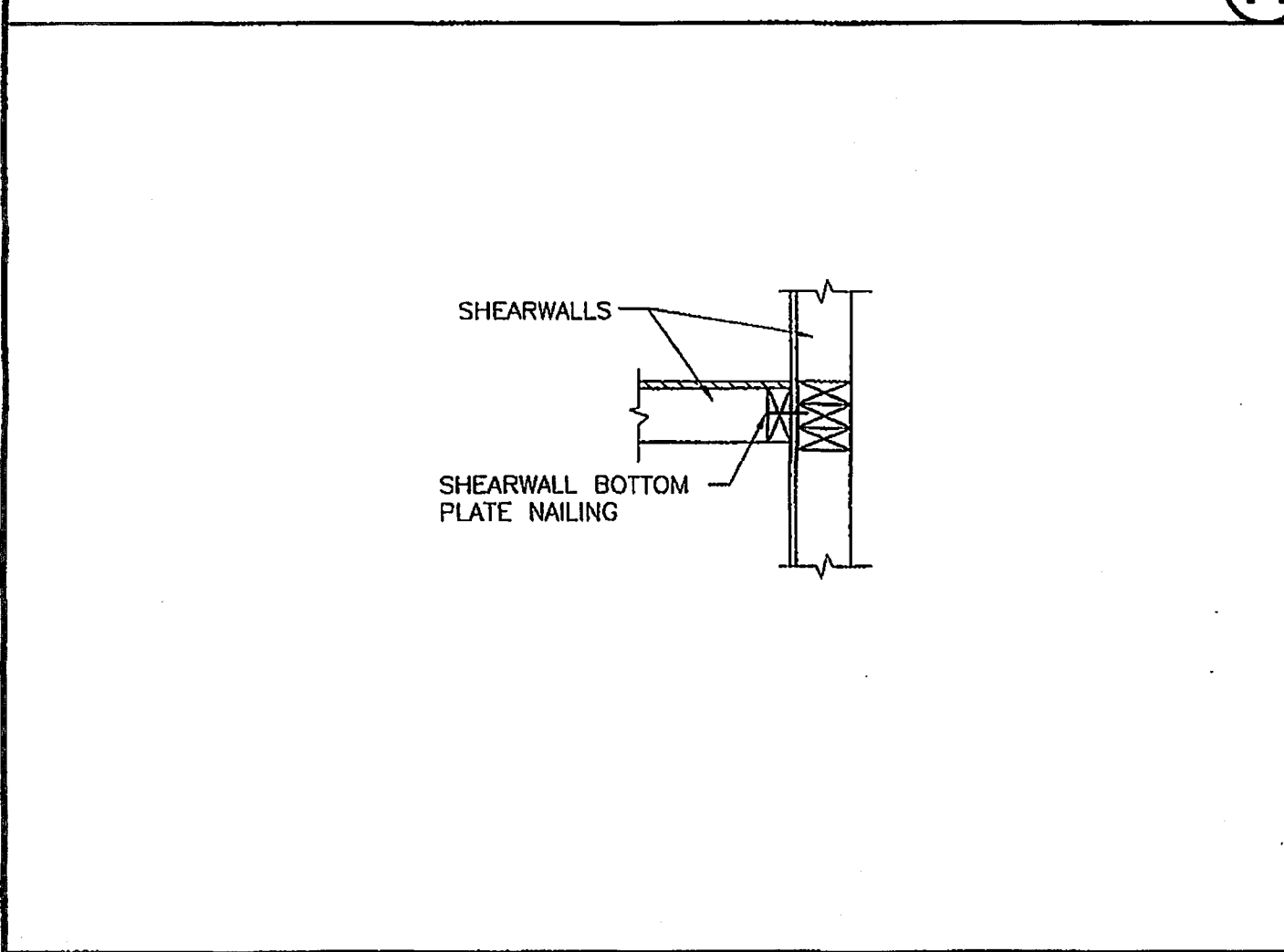
Project
CAROLINA LANDINGS APARTMENTS
MANATEE COUNTY, FLORIDA
TOWNHOME RENTAL COMMUNITY



CORPORATE OFFICE
10101 Southwest Freeway, Suite 800
Houston, Texas 77074-1126
713.779.7252 1.800.422.7252
FAX: 713.779.1173
e-mail: sca@scahouston.com
Louisville, Kentucky 502.426.0769
Orlando, Florida 407.893.6200

ISSUE DATES	Review Issue xxxxx
Issue	12-10-2001
Permit Issue	12-10-2001
Construction Issue	03-12-2002
Revisions	02-07-2002 REISSUE FOR PERMIT-AMENITY

Drawn ES/CJR
Check MLS
Date 03-12-2002
Project 21510
Sheet **S8.01**



AS BUILT ISSUE
08-07-03