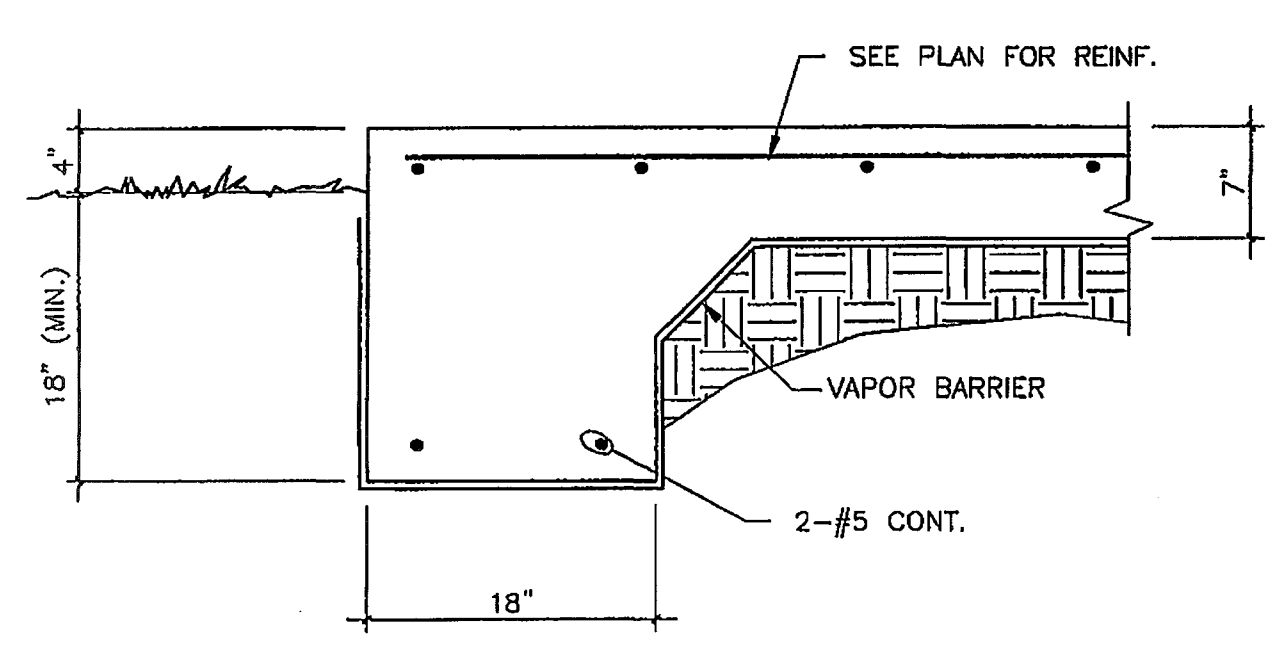
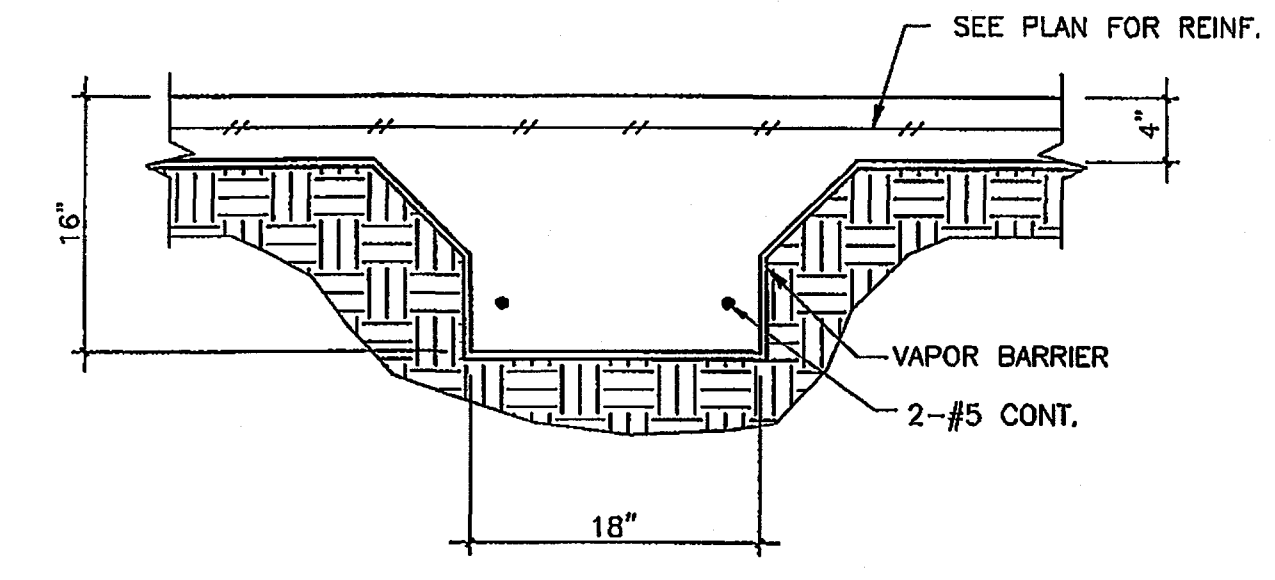


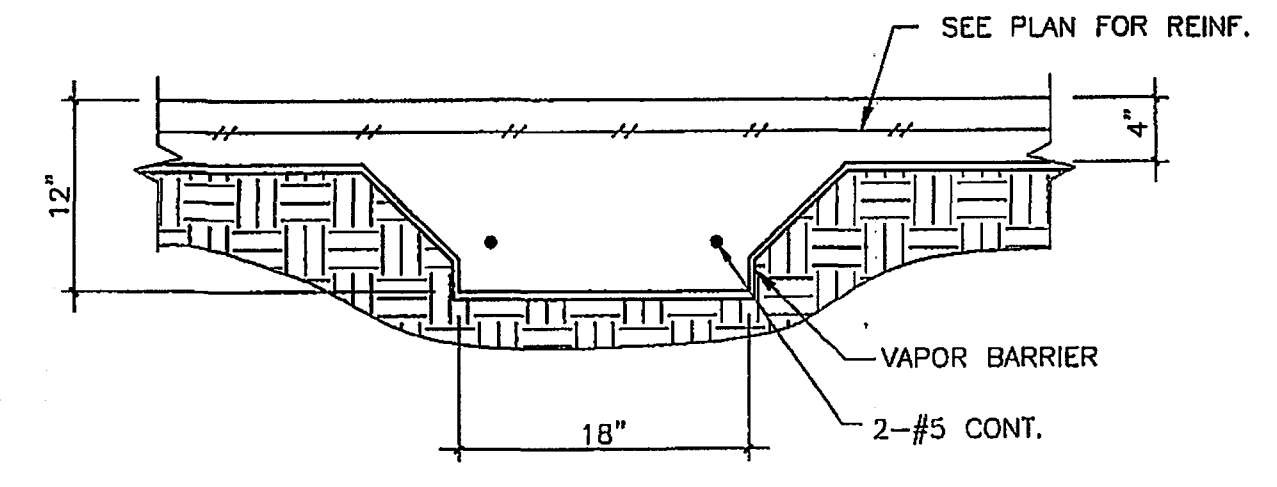
NOTE:
SEE S9.01 FOR CONCRETE NOTES AND SPECIFICATIONS.



18



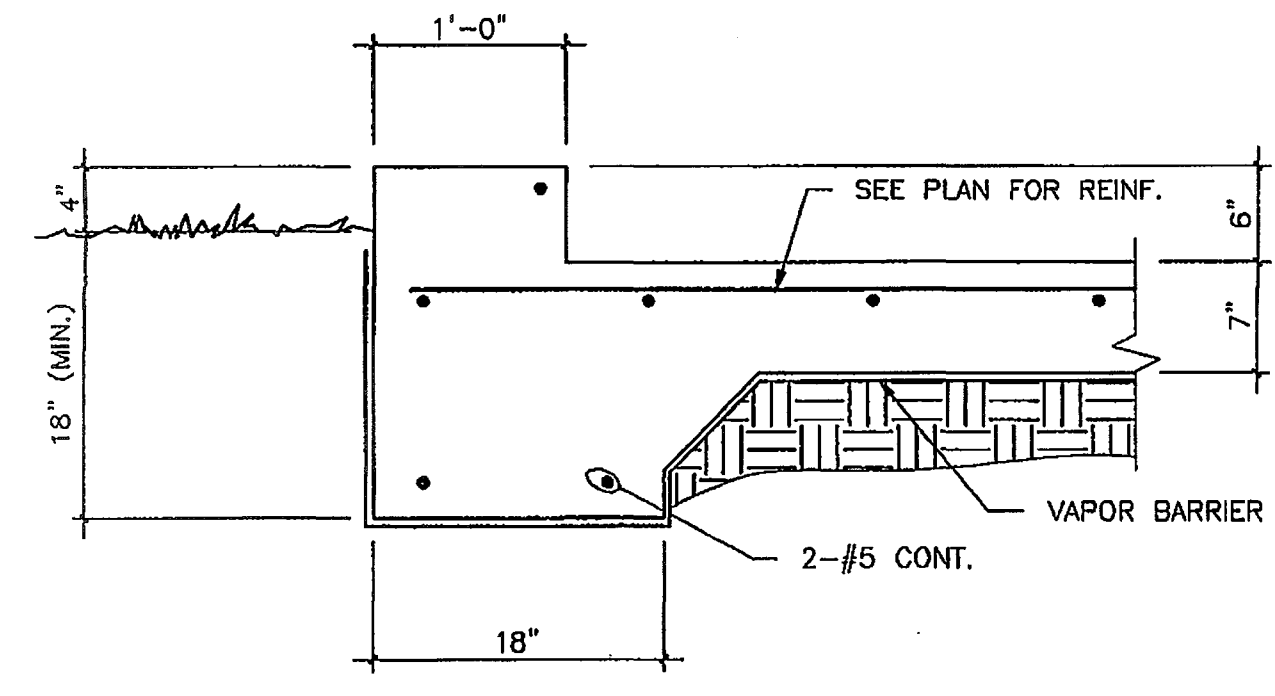
14



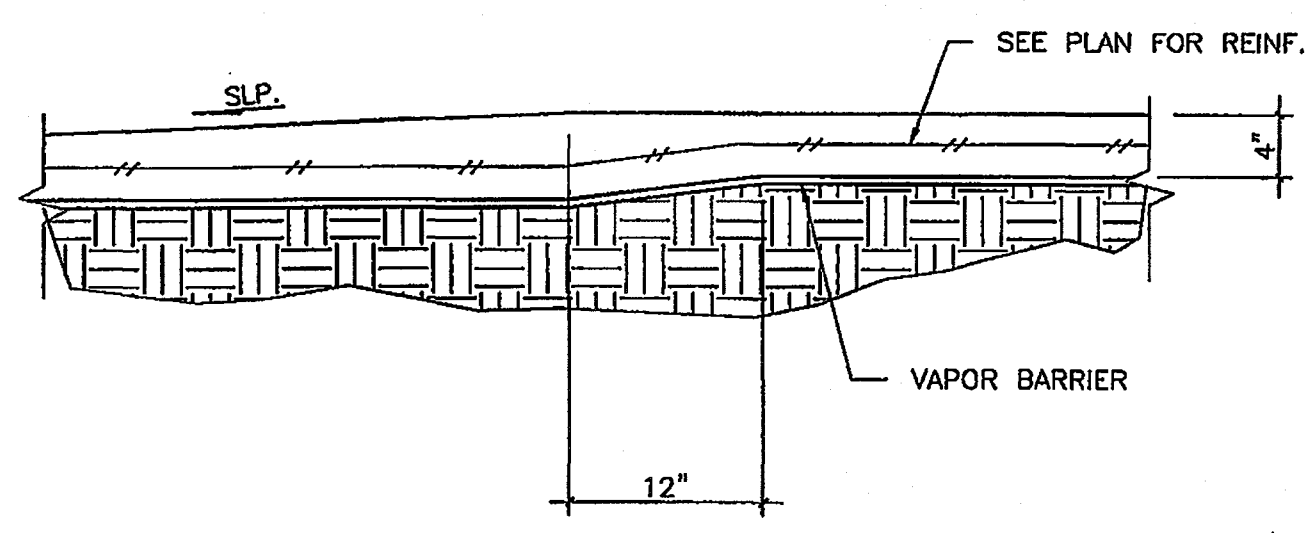
9

NOT USED

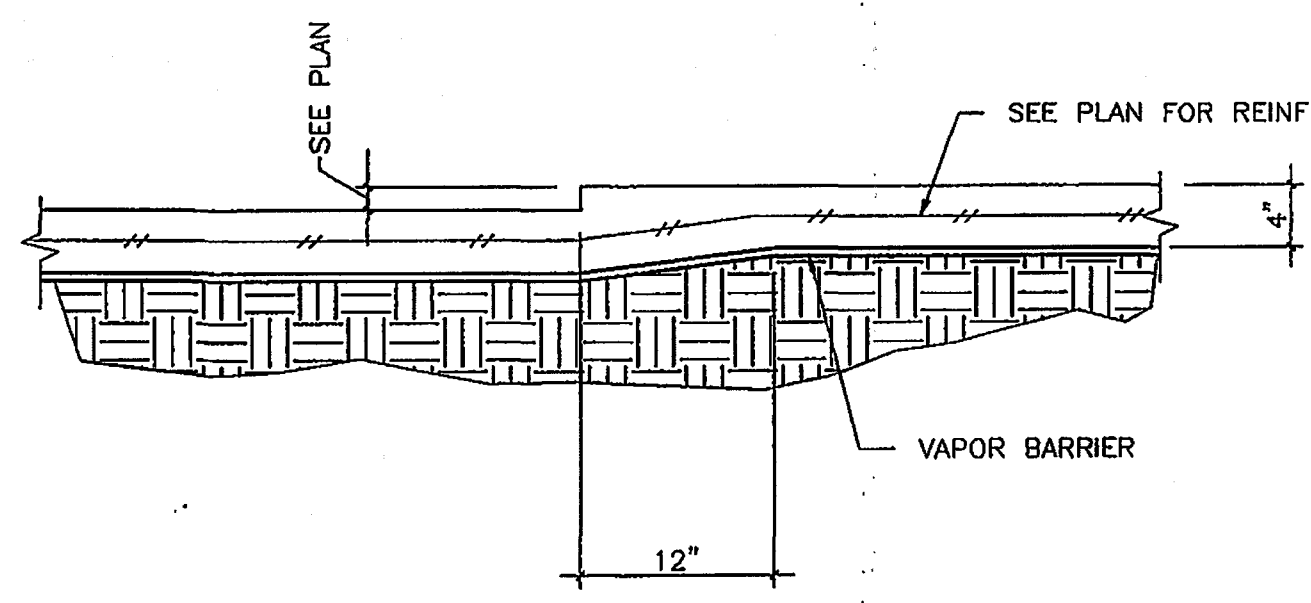
4



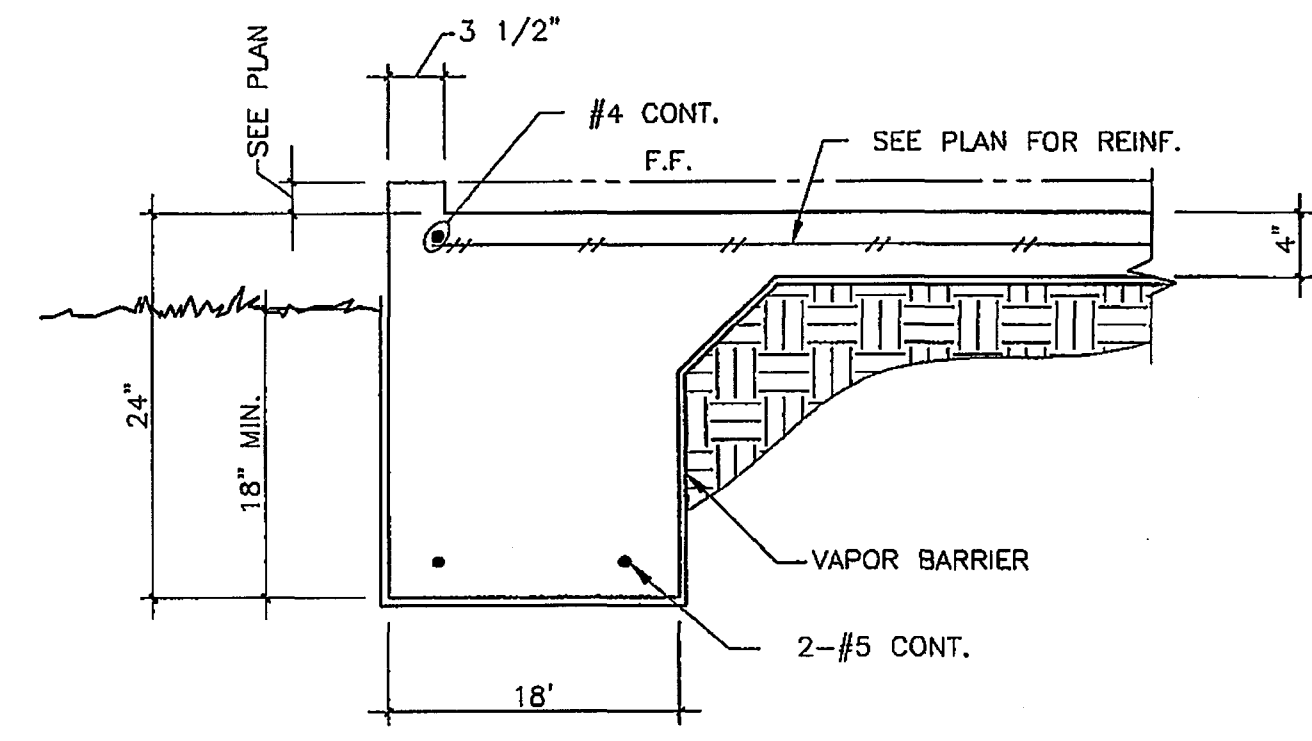
17



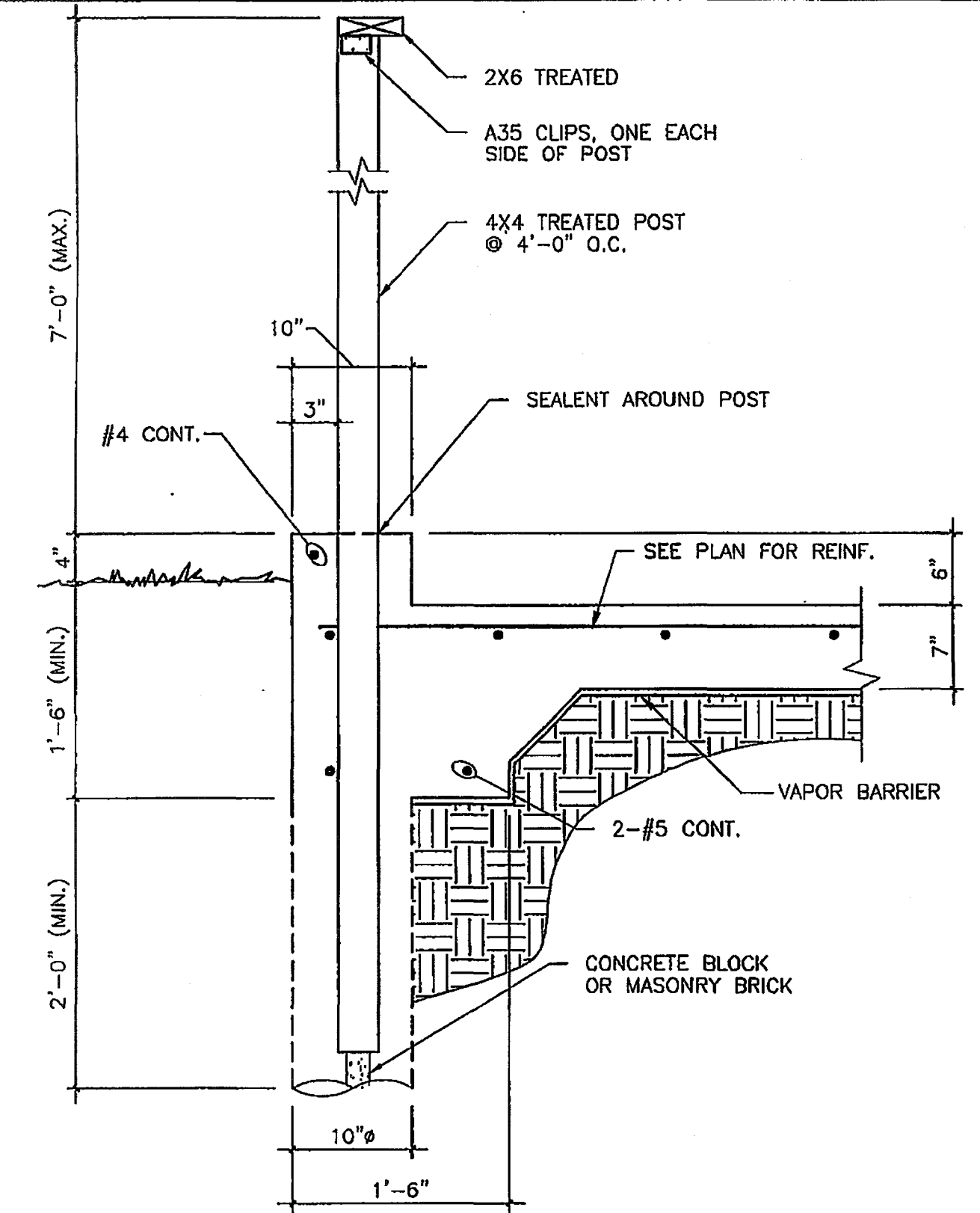
13



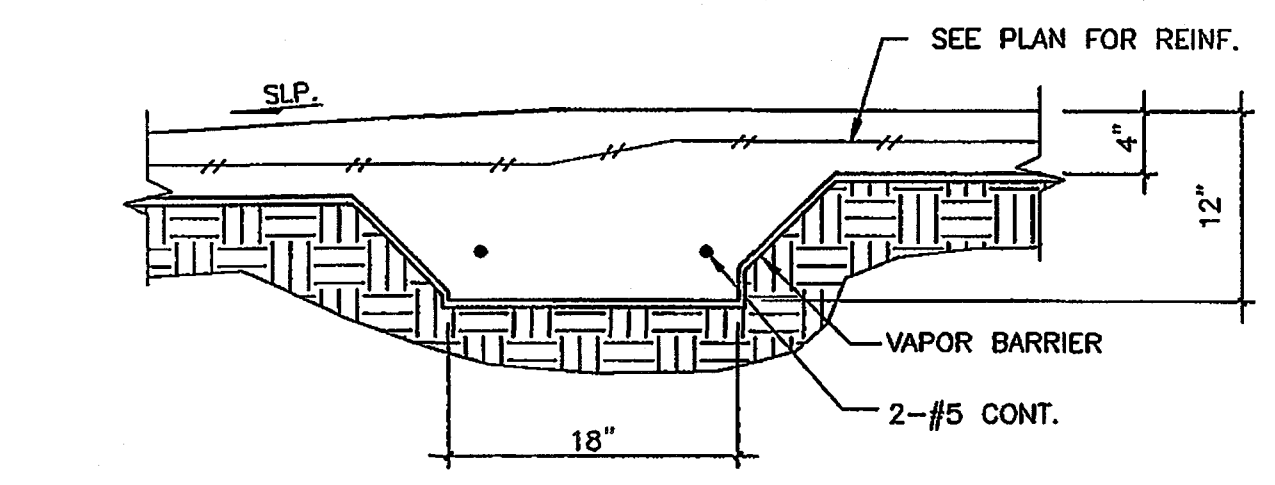
8



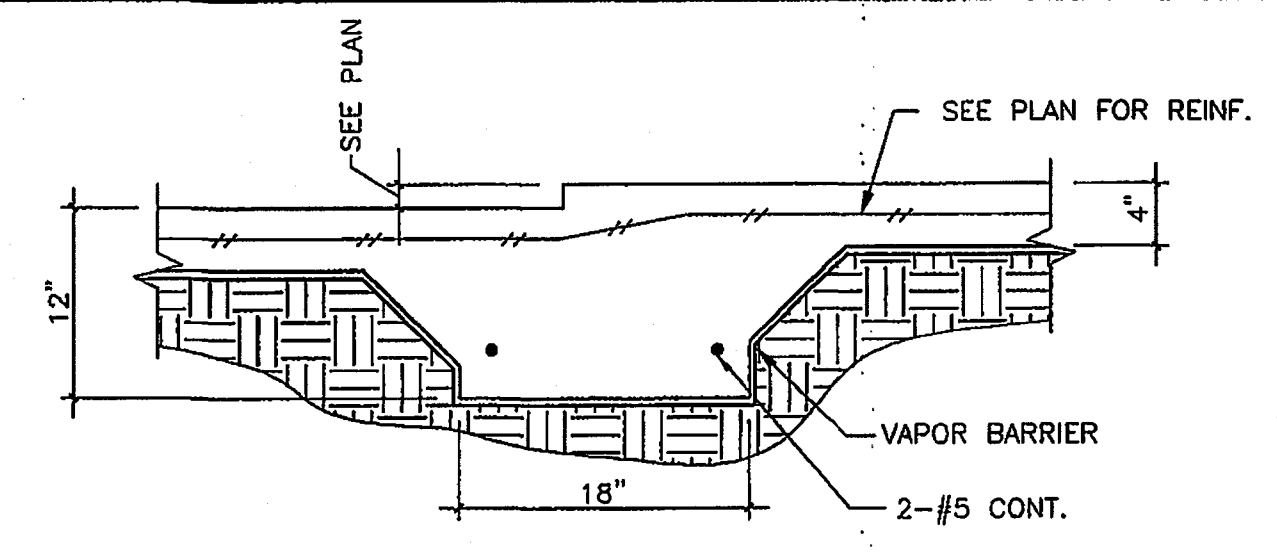
3



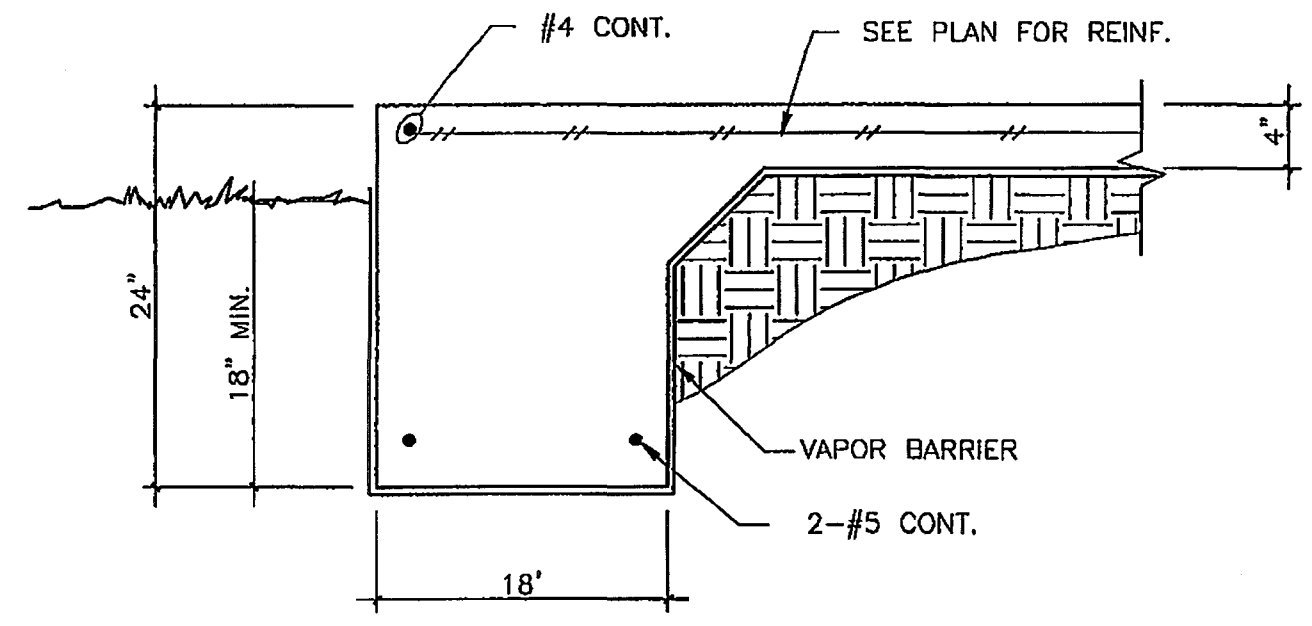
16



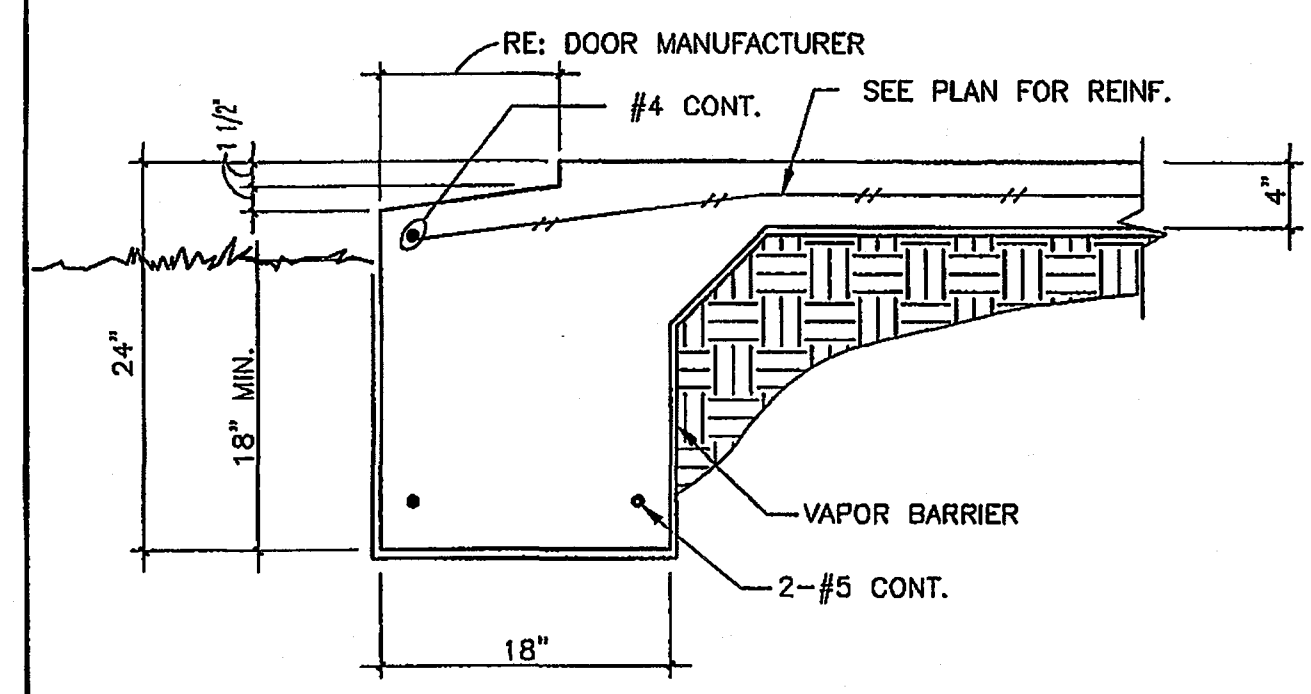
12



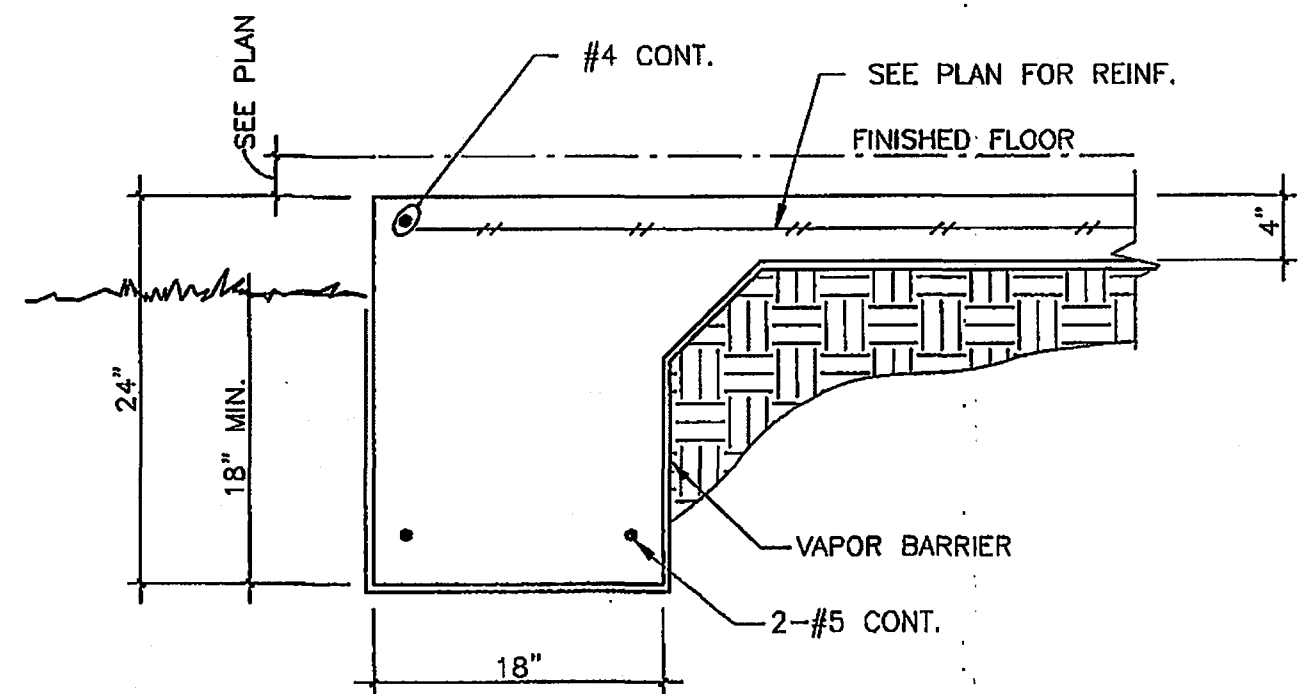
7



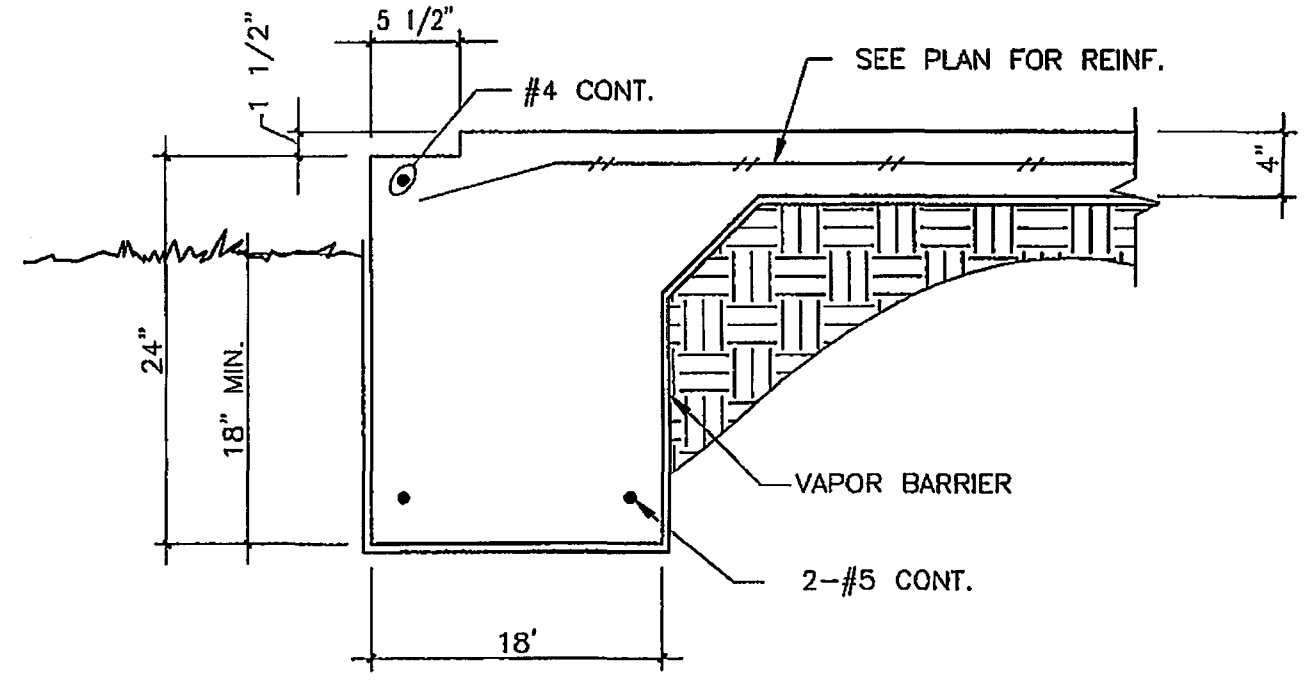
2



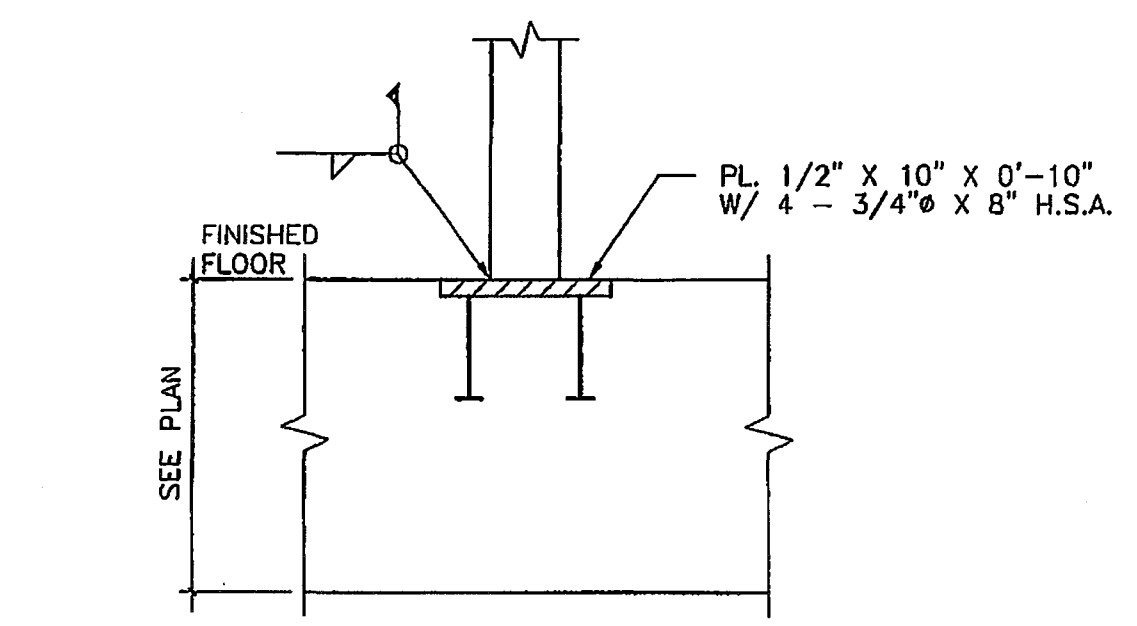
11



6



1



15

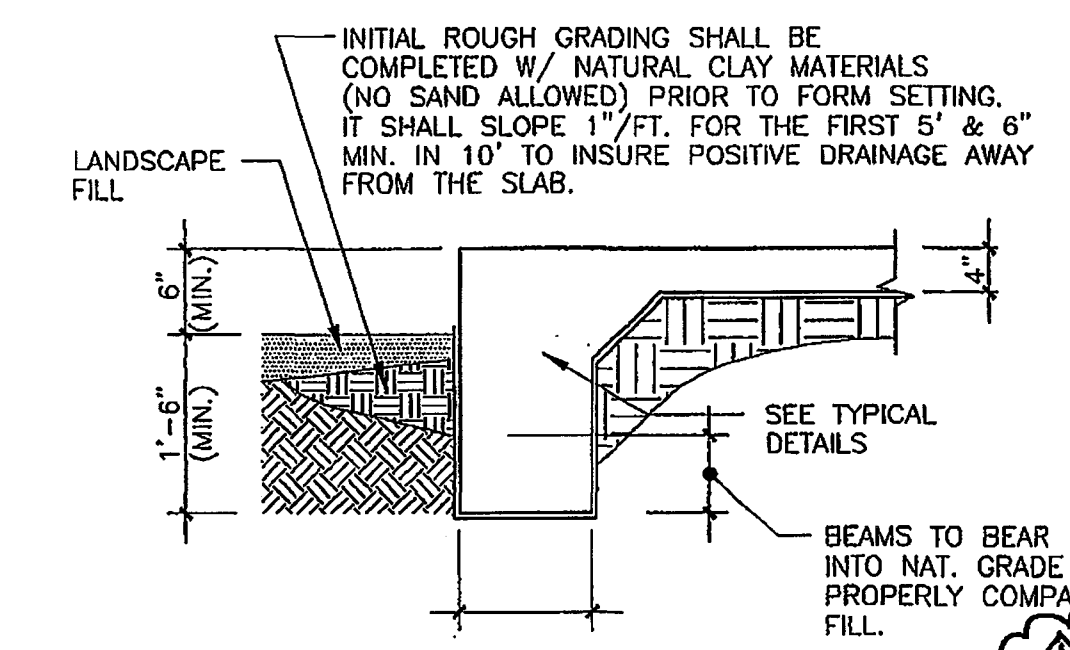
NOT USED

10

REFER TO POST-TENSION DRAWINGS FOR REVISED PLANS

NOT USED

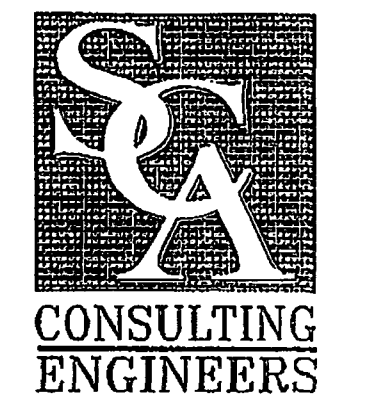
5



TYPICAL DRAINAGE DETAIL

AS BUILT ISSUE 08-07-03

Project
CAROLINA LANDINGS APARTMENTS
MANATEE COUNTY, FLORIDA
TOWNHOME RENTAL COMMUNITY



CORPORATE OFFICE
10101 Southwest Freeway, Suite 600
Houston, Texas 77074-1120
713.779.7252 1.800.422.7252
FAX: 713.779.1173
e-mail: sca@scahouston.com
Louisville, Kentucky 502.426.6789
Orlando, Florida 407.893.6200

ISSUE DATES
Review Issue
xxxxx
Bid Issue
12-10-2001
Permit Issue
12-10-2001
Construction Issue
03-12-2002

Revisions
02-07-2002 REISSUE FOR PERMIT-AMENITY

Drawn ES/CJR
Check ML
Date 03-12-2002

Project 21510
Sheet S7.01