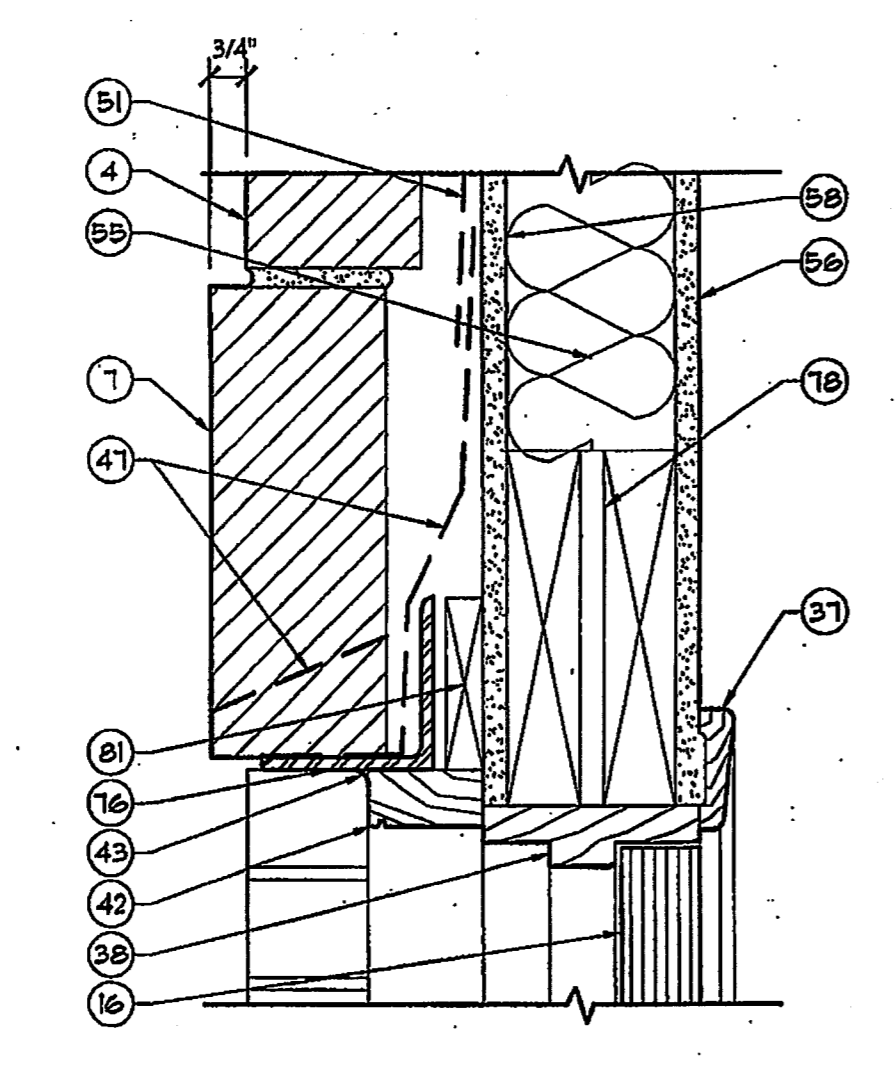
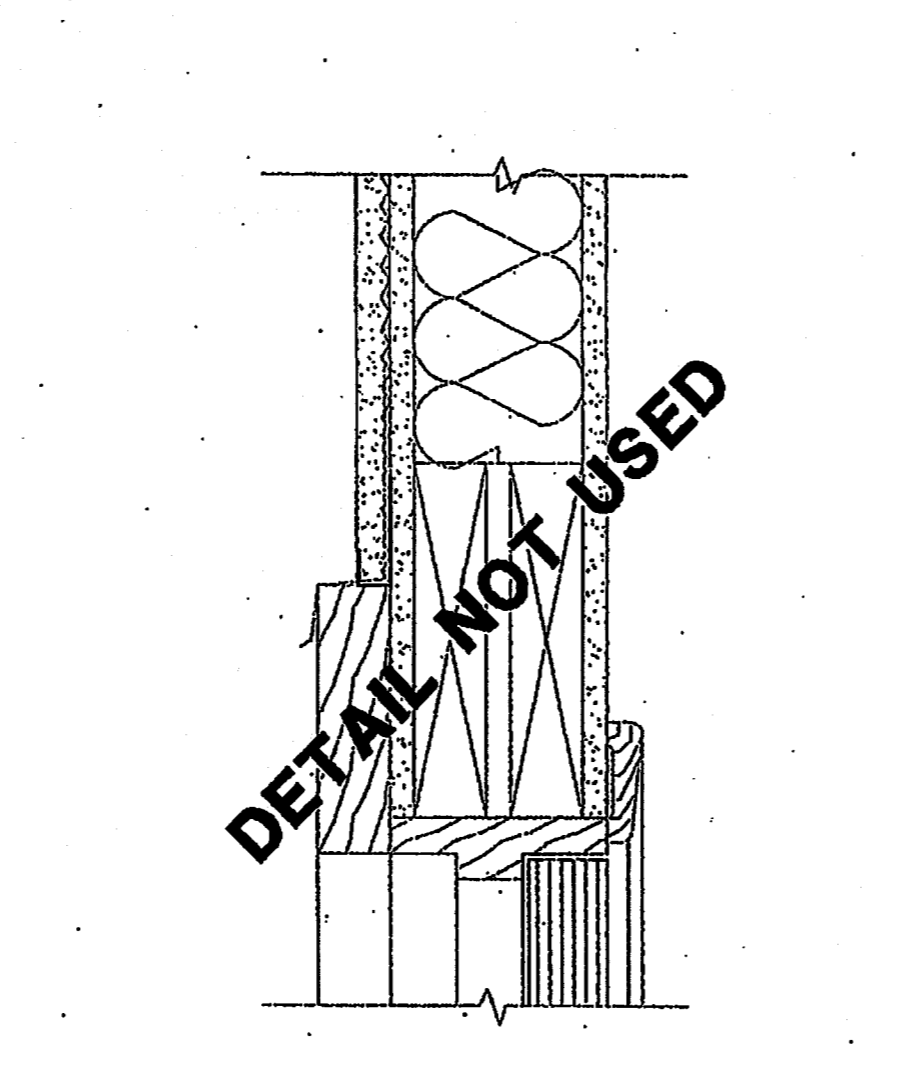


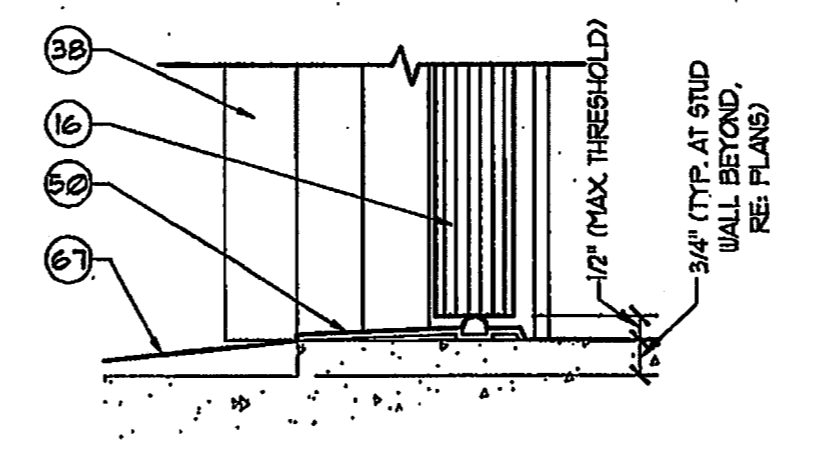
1 DOOR HEAD-Siding
A1.3 3" x 1'-0"
(2X6 STUDS SIMILAR)



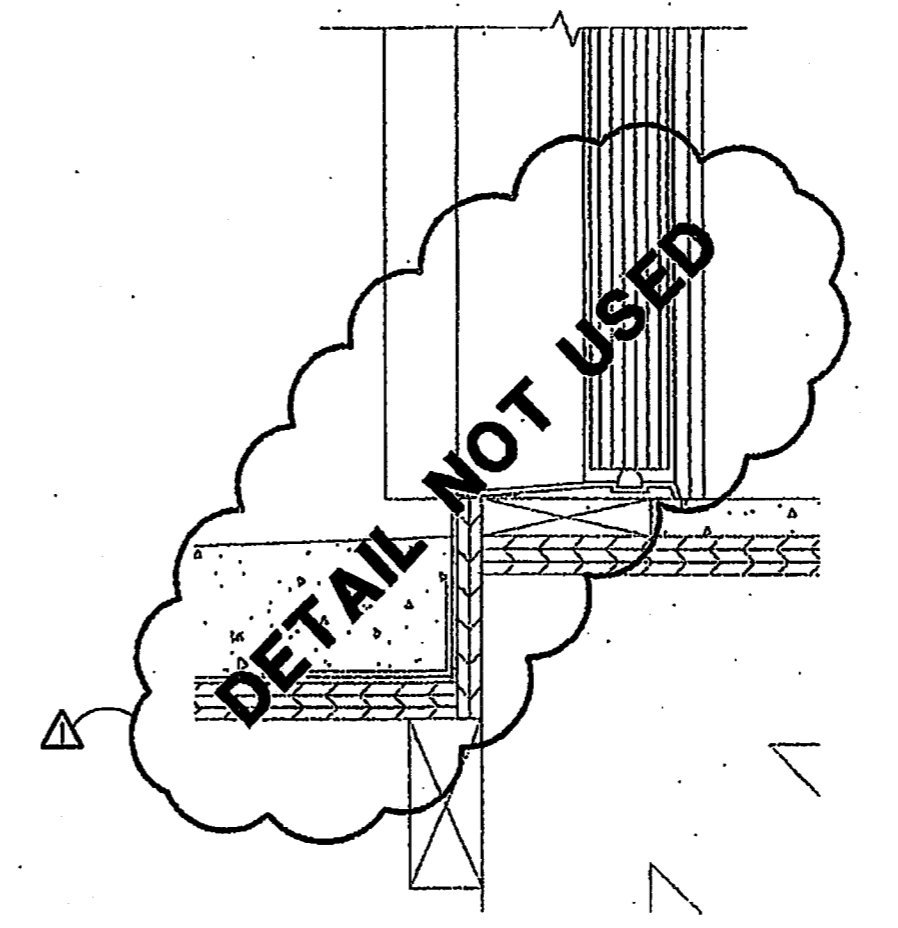
2 DOOR HEAD-Brick
A1.3 3" x 1'-0"
(2X6 STUDS SIMILAR)



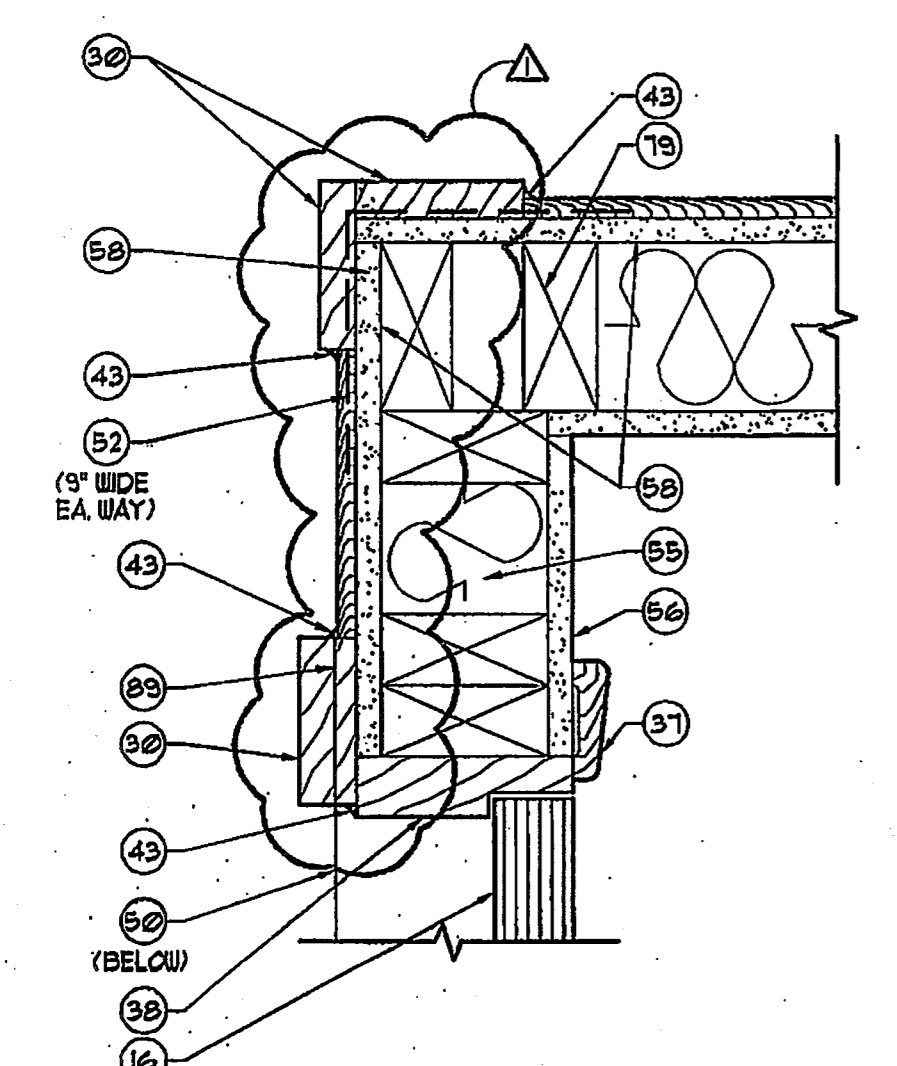
3 DOOR HEAD-Plaster
A1.3 3" x 1'-0"
(2X6 STUDS SIMILAR)



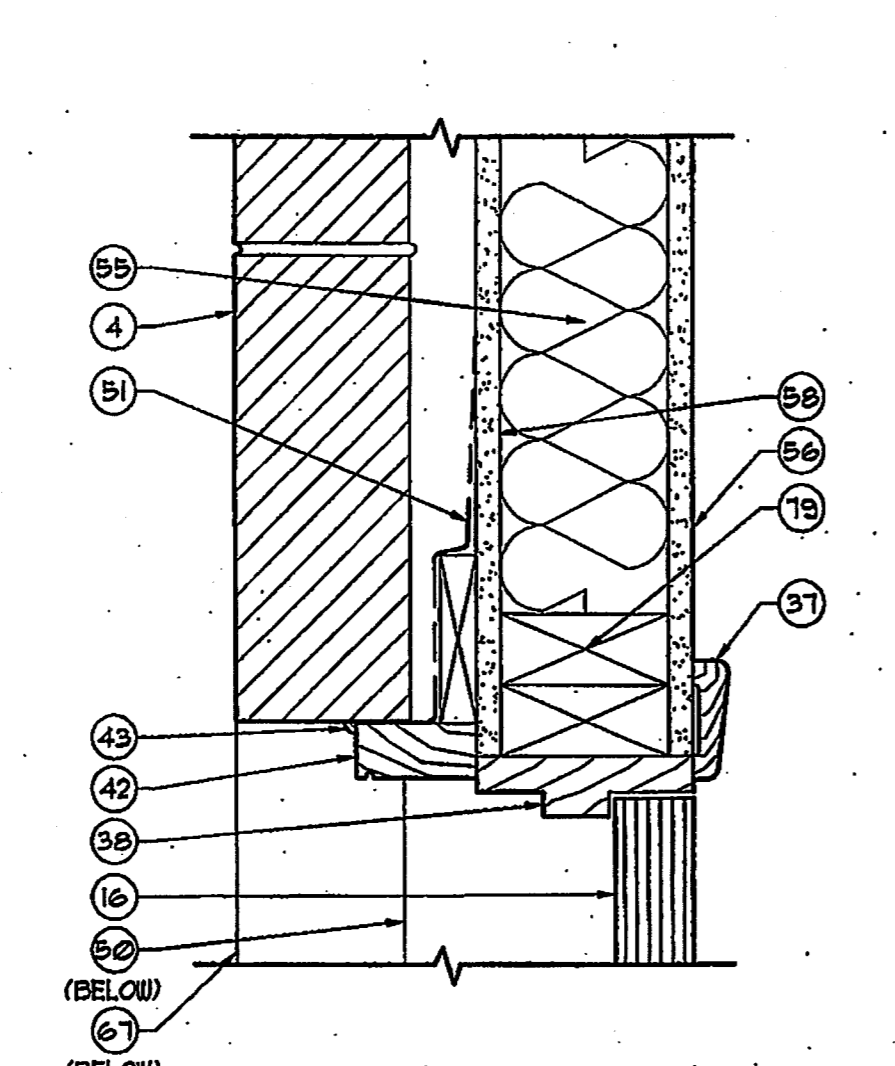
4 PATIO DOOR SILL
A1.3 3" x 1'-0"



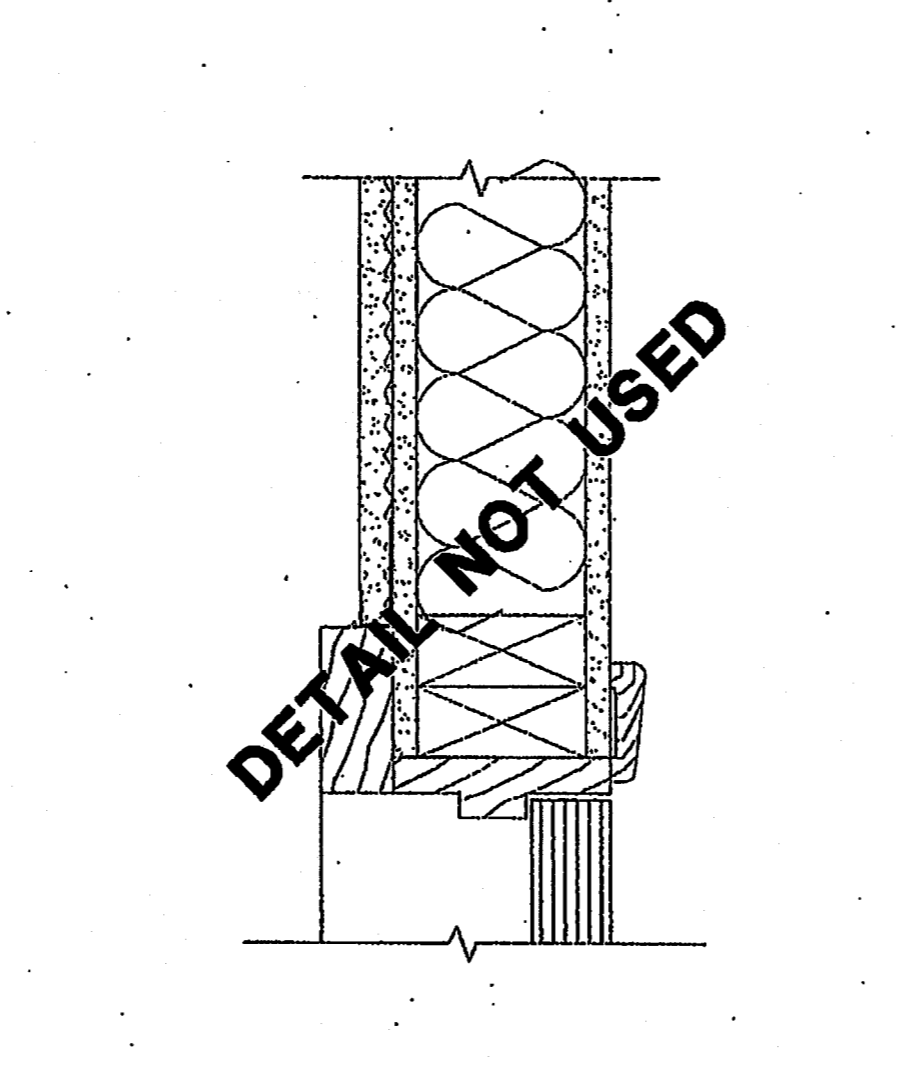
5 BALCONY DOOR SILL
A1.3 3" x 1'-0"



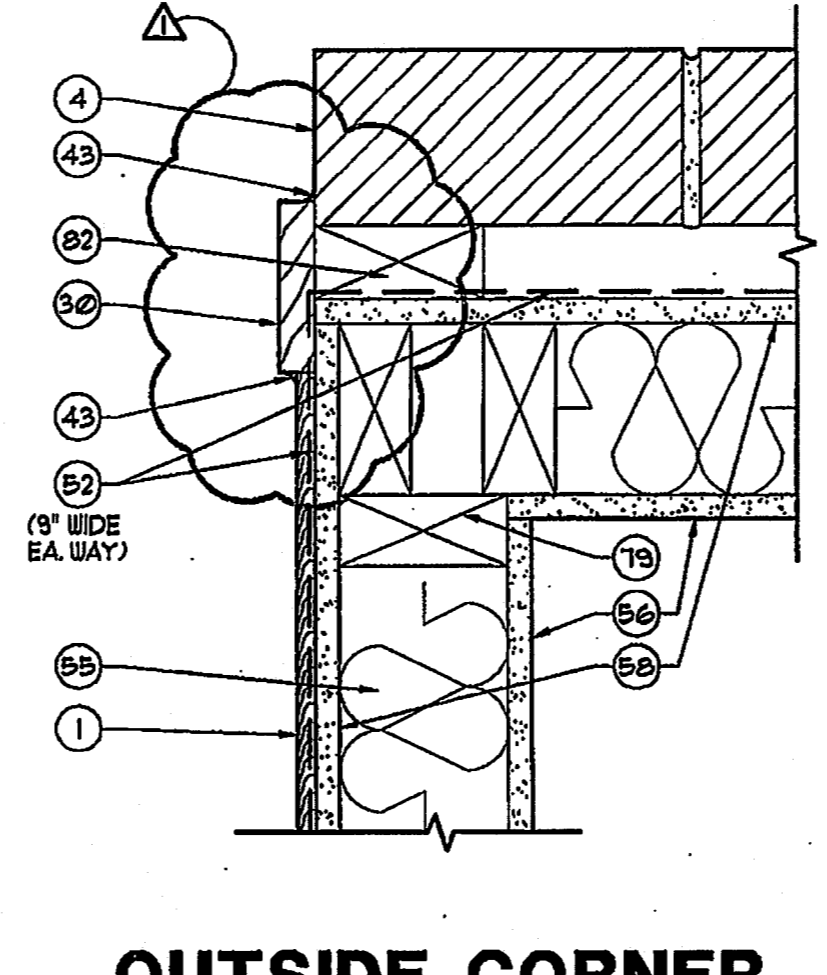
6 DOOR JAMB-Siding
A1.3 3" x 1'-0"
(2X6 STUDS SIMILAR)



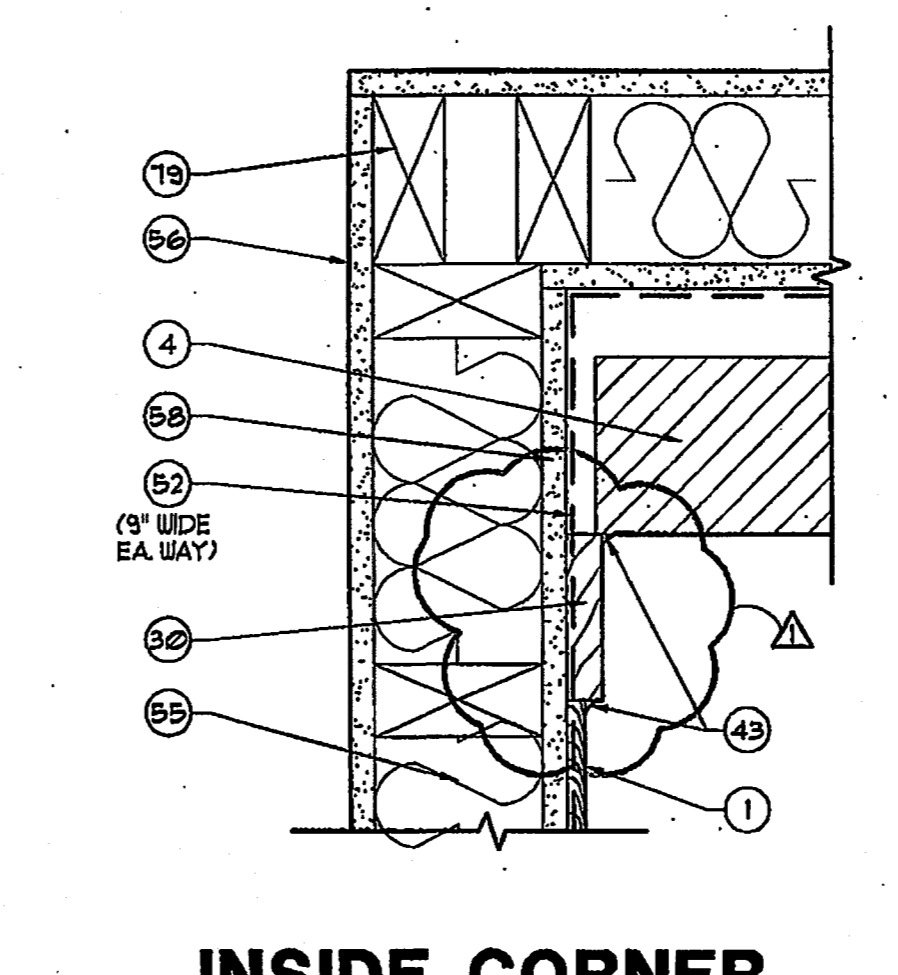
7 DOOR JAMB-Brick
A1.3 3" x 1'-0"
(SYNTHETIC STONE SIMILAR)
(2X6 STUDS SIMILAR)



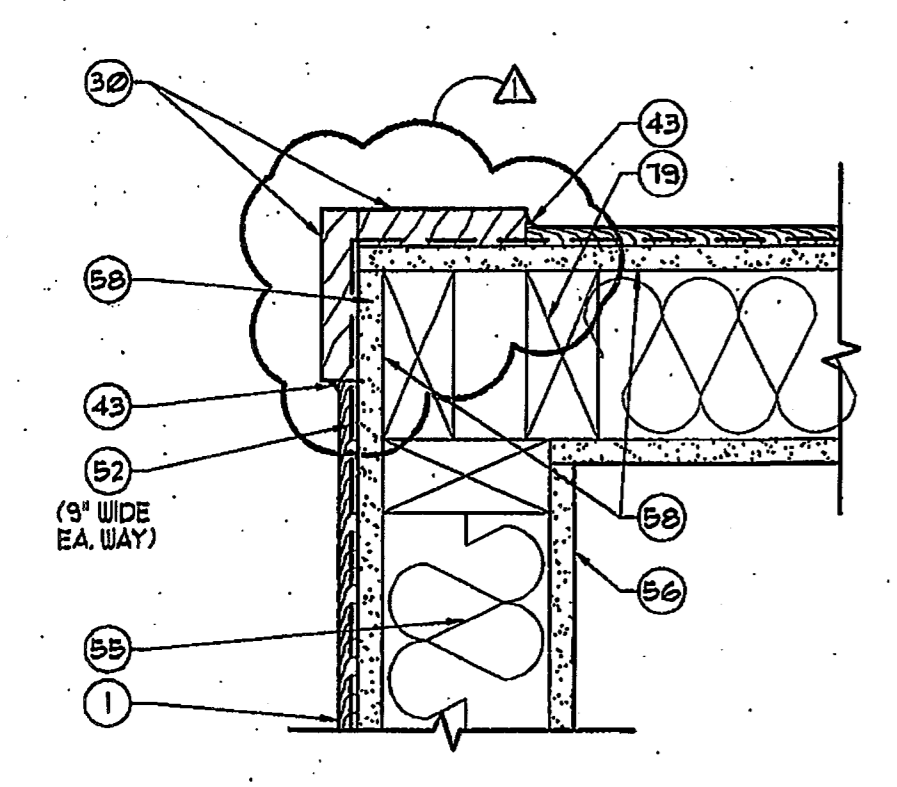
8 DOOR JAMB-Plaster
A1.3 3" x 1'-0"
(2X6 STUDS SIMILAR)



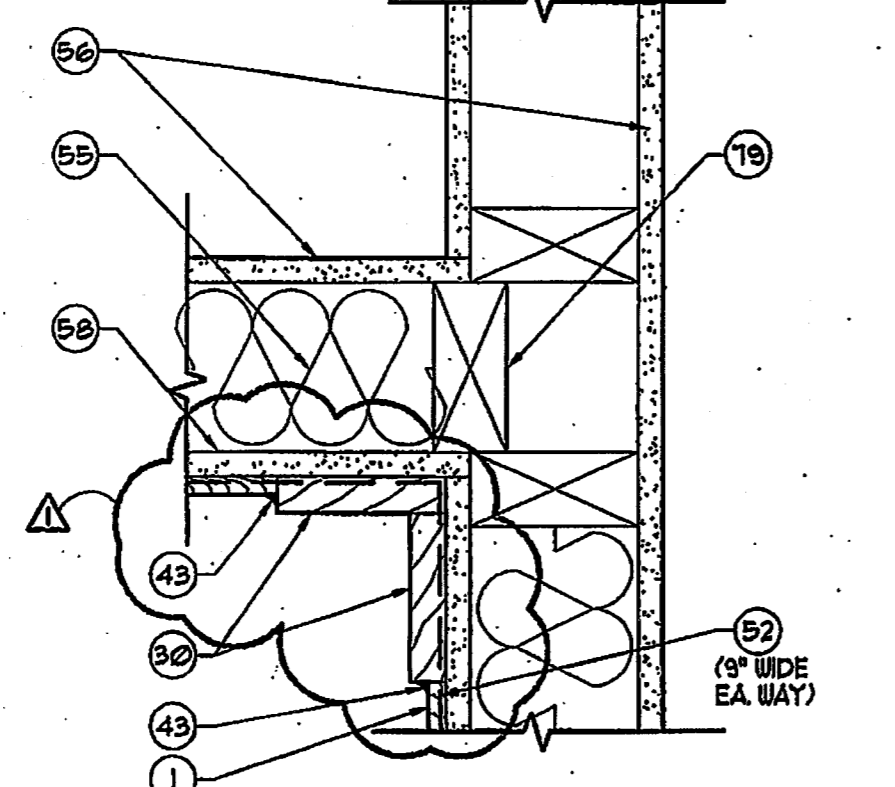
9 OUTSIDE CORNER DETAIL-Brick/Siding
A1.3 3" x 1'-0"
(SYNTHETIC STONE SIMILAR)
(2X6 STUDS SIMILAR)



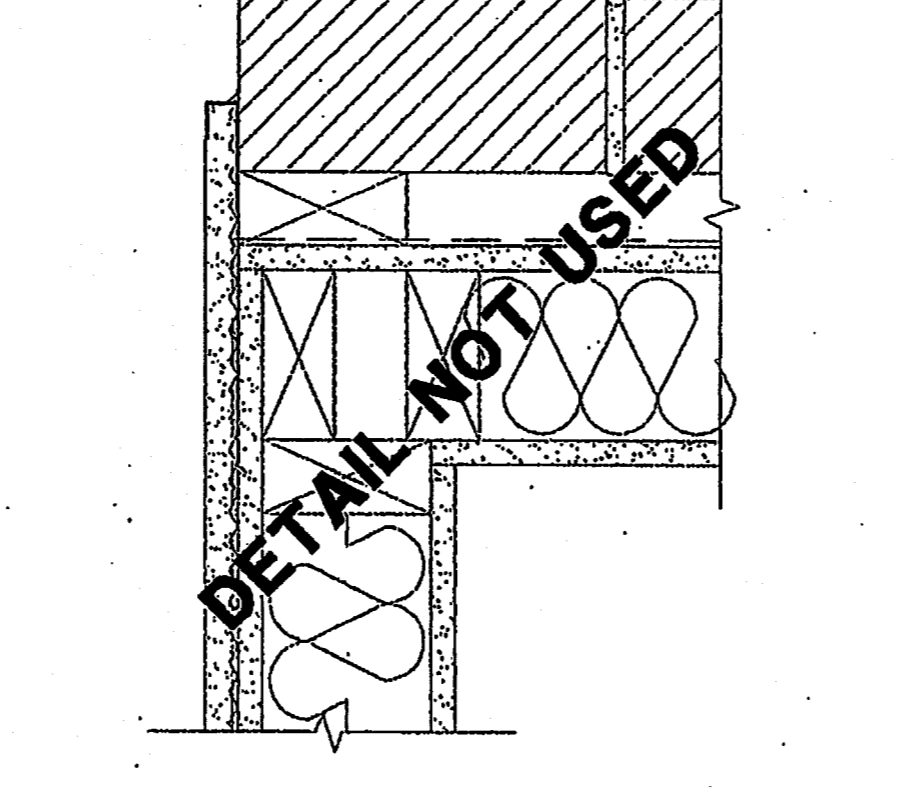
10 INSIDE CORNER DETAIL-Brick/Siding
A1.3 3" x 1'-0"
(SYNTHETIC STONE SIMILAR)
(2X6 STUDS SIMILAR)



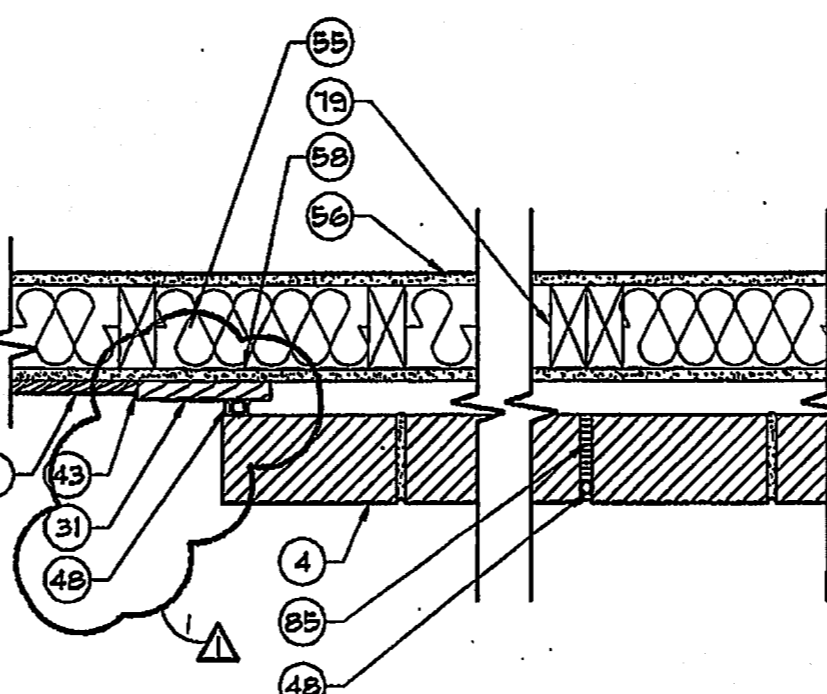
11 OUTSIDE CORNER DETAIL-Siding
A1.3 3" x 1'-0"
(2X6 STUDS SIMILAR)



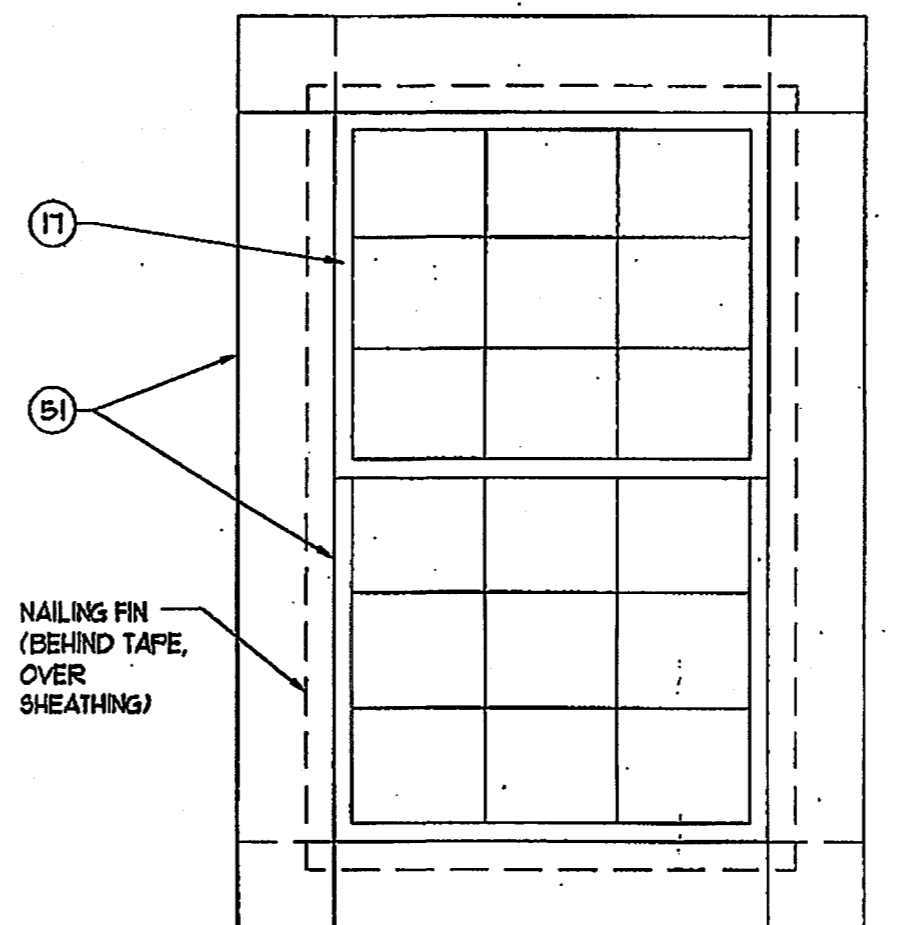
12 INSIDE CORNER DETAIL-Siding
A1.3 3" x 1'-0"
(2X6 STUDS SIMILAR)



13 OUTER CORNER DETAIL-Brick/Plaster
A1.3 3" x 1'-0"
(2X6 STUDS SIMILAR)



14 EXPANSION JOINT AT BRICK
A1.3 1 1/2" x 1'-0"



15 WINDOW FLASHING DETAIL
A1.3 3/4" x 1'-0"

GENERAL NOTES:

1. Painted horizontal cementitious siding to be James Hardie "Gentry Woodgrain MF", sizes as noted. Butt siding to trim. Install over "Moisture and Wind Barrier Building Wrap" over 1/2" plywood sheathing.
2. All exterior fascias, ceilings and trim to be James Hardie "Hardtrim HLD Rustic Grain" (3/4" thick) cementitious trim boards. Provide 1/16" Hardtrim blocking behind window and door trim.
3. At masonry veneer, provide 1-layer of 30# felt membrane over 1/2" exterior plywood sheathing.

TYPICAL SECTION NOTES:
(Shown with round targets, not all notes are used.)

1. Painted cementitious (Hardie or equal) siding veneer.
2. Not used.
3. Not used.
4. Brick veneer with metal ties at 24" o.c. (horiz.) every 4th course.
5. Brick rowlock projected 3/4".
6. Not used.
7. Brick soldier projected 3/4".
8. Not used.
9. Not used.
10. Not used.
11. Composition shingles over 30# felt over 5/8" OSB.
12. 24 GA. "Galvalume" standing seam metal roof (12" expression) on 1-layer 30# felt over 5/8" OSB plywood roof deck, nailed to framing, (provide clips as required).
13. Prefinished metal gutter over 8" "Hardtrim HLD" (3/4" thk.) fascia, with downspouts to concrete splash block at grade.
14. Not used.
15. Not used.
16. Door: Re: Door Schedule.
17. Aluminum window frame. Re: Window Schedule.
18. Not used.
19. Not used.
20. Not used.
21. 1x Wd. Fl. trim.
22. 1x2 Wd. Fl. trim.
23. 1x4 Wd. Fl. trim.
24. 1x6 Wd. Fl. trim.
25. 1x8 Wd. Fl. trim.
26. 1x10 Wd. Fl. trim.
27. 1x12 Wd. Fl. trim.
28. 2x Wd. Fl. trim.
29. 2x2 Wd. Fl. trim.
30. 1x4 "Hardtrim HLD" (3/4" thk.) painted trim.
31. 1x6 "Hardtrim HLD" (3/4" thk.) painted trim.
32. 1x8 "Hardtrim HLD" (3/4" thk.) painted trim.
33. 1x10 "Hardtrim HLD" (3/4" thk.) painted trim.
34. Not used.
35. Wd. Fl. base board: 3 1/2" high unless noted.
36. 3/4" x 4" synthetic marble sill.
37. Wd. Fl. door casing.
38. Wd. Fl. door frame.
39. Not used.
40. Not used.
41. Not used.
42. Wd. Fl. brick molding.
43. Caulk.
44. Fl. Mtl. edge flashing with 1 1/2" turn down with drip edge.
45. Metal flashing.
46. Fl. Mtl. "Z" flashing (run behind felt) at all window, door headers and at exposed horiz. trim conditions.
47. Flexible flashing with weep holes every third unit. Seal top of flashing w/ adhesive flashing tape at wall. Backer rod and sealant.
48. Not used.
49. Not used.
50. Aluminum threshold set in sealant.
51. Adhesive flashing tape (6" width).
52. Flexible waterproof membrane.
53. R-13 insulation.
54. Not used.
55. R-11 batt insulation.
56. 1/2" gypsum board.
57. Not used.
58. Not used.
59. Not used.
60. Not used.
61. Vented aluminum soffit.
62. 2" wide continuous strip screened soffit vent.
63. Not used.
64. 3/4" T&G plywood deck (3/4" T&G OSB substitution is allowed).
65. Not used.
66. Not used.
67. Concrete foundation (Re: Structural).
68. Anchor bolts. (Re: Structural).
69. 2x4 plate (treated at base).
70. 2-2x4 top plate.
71. Not used.
72. Not used.
73. Not used.
74. Prefabricated roof trusses at 24" o.c. (Re: Structural).
75. Not used.
76. Steel Lintel. (Re: Structural).
77. Not used.
78. Framing header. (Re: Structural).
79. 2x4 framing. (Re: Structural).
80. Not used.
81. 1x4 wood blocking.
82. 2x4 wood blocking.
83. Wood blocking as required.
84. 2x4 @ 24" o.c.
85. Not used.
86. Not used.
87. Siding starter strip.
88. Insulation baffle.
89. "Hardtrim 1/16" (1/16" thk. x 3 1/2").
90. "Hardtrim 1/16" (1/16" thk. x 5 1/2").

Project Architect
Ted Trout
 Architect
 Florida Registration #AR000729
 P.O. Box 820632
 Houston, Texas 77282
 Tel. (713) 818-3331
 Fax (281) 311-4535

Design Consultant
 MUSEY & ASSOCIATES
 100 West Gray Street
 Suite 200
 Houston, Texas 77002
 Tel. (713) 521-1111
 Fax (713) 521-1111

CAROLINA LANDINGS
 AT UNIVERSITY PLACE
 University City, Florida
 Manatee County, Florida
 Project No. 08-07-03

INITIAL PERMIT ISSUE	Date: 12-05-01
PERMIT ISSUE	Date: 12-10-01
PERMIT/PRICING REVISION	Date: 01-28-02
AS BUILT ISSUE	Date: 08-07-03
Date:	
Date:	
Date:	
Date:	

A7.3

AS BUILT ISSUE.
08-07-03
Copyright © 2001 The Barrington Group Incorporated

A7.301 - Initial Issue
 Carolina Landings 01.301 - A7.301.dwg
 8/7/2003 2:59:51 PM
 AWT