

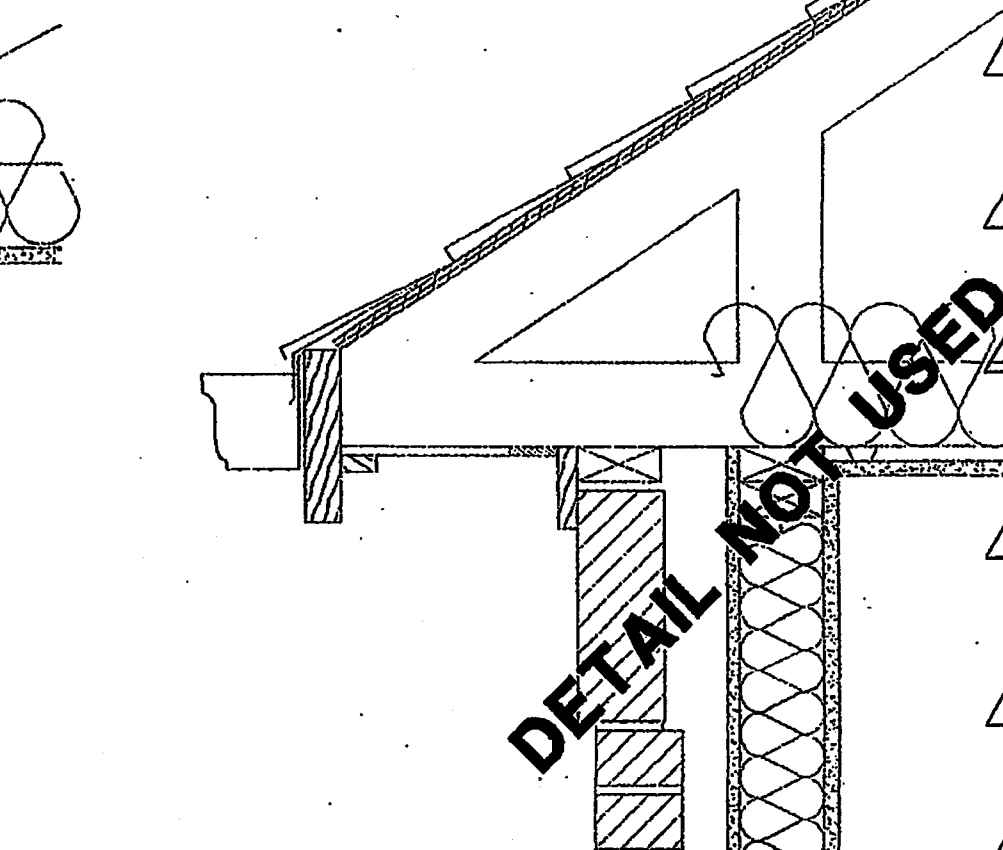
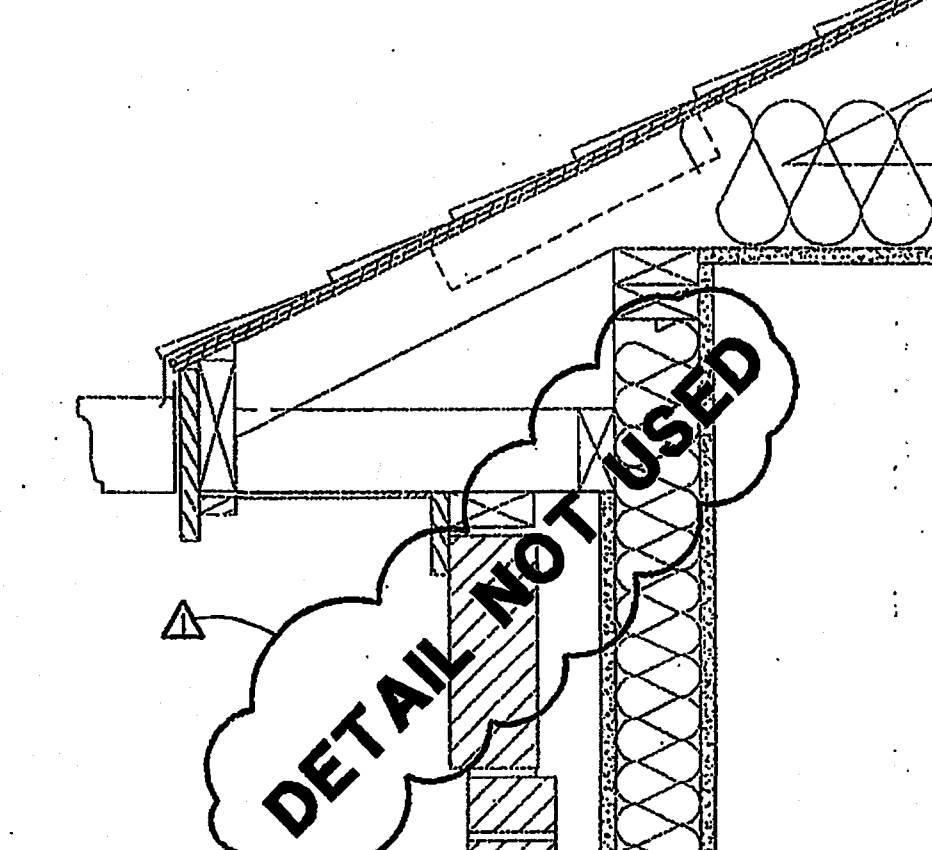
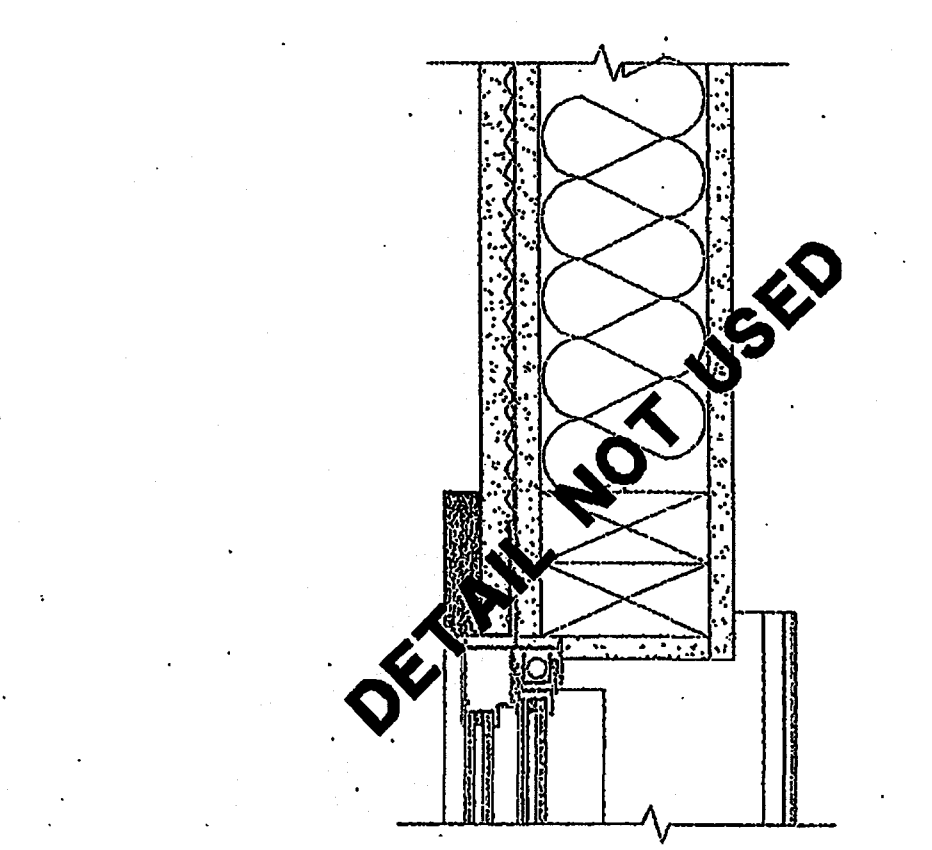
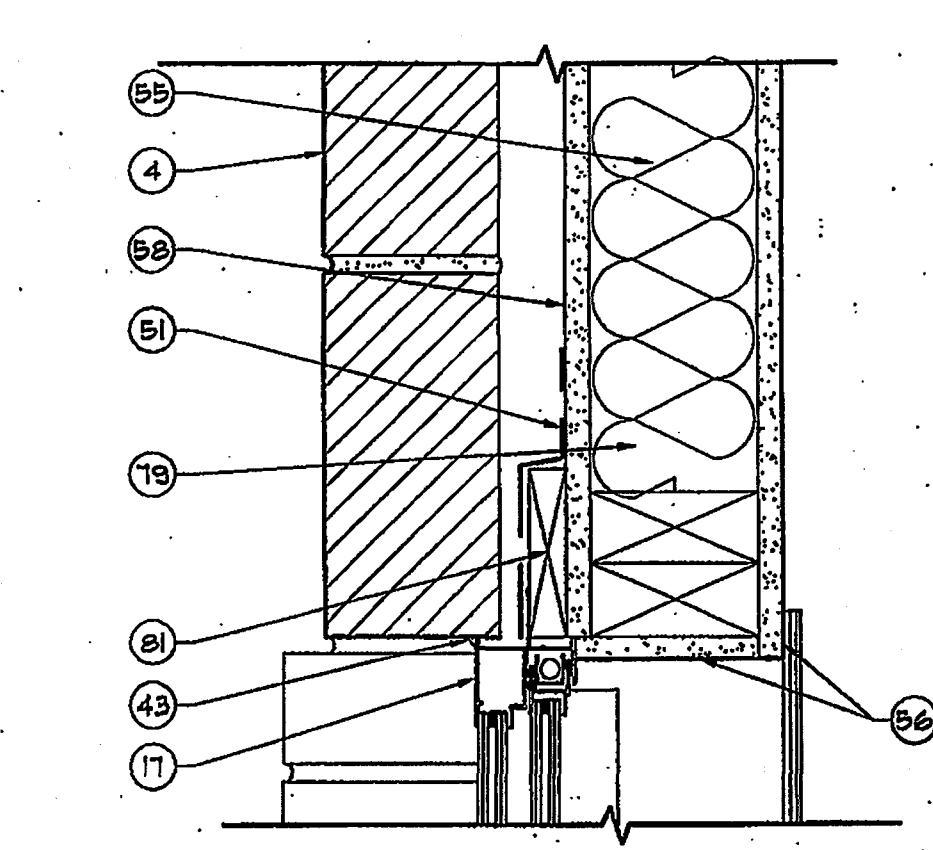
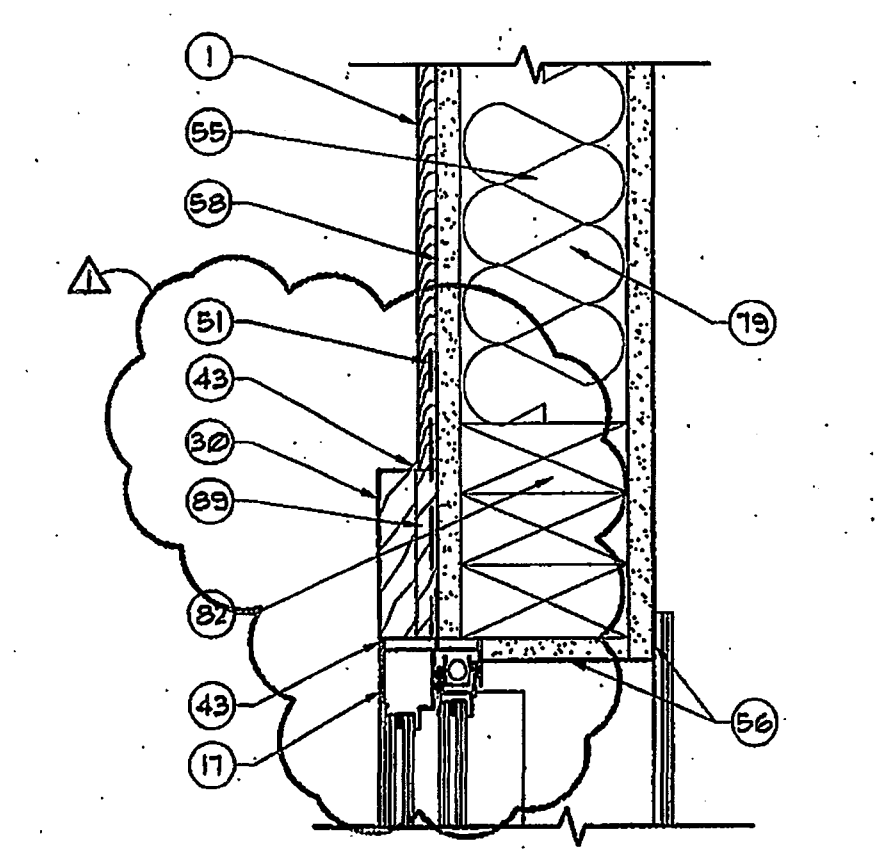
**1 WINDOW HEAD-Siding**  
A1.2 3" x 1'-0"  
(2x6 STUDS SIMILAR)

**2 WINDOW HEAD-Masonry**  
A1.2 3" x 1'-0"  
(SYNTHETIC STONE SIMILAR)  
(2x6 STUDS SIMILAR)

**3 WINDOW HEAD-Plaster**  
A1.2 3" x 1'-0"  
(2x6 STUDS SIMILAR)

**4 FASCIA AT SIDING**  
A1.2 1 1/2" x 1'-0"  
(TOP CHORD BEARING TRUSS)

**5 FASCIA AT SIDING**  
A1.2 1 1/2" x 1'-0"  
(TOP CHORD BEARING TRUSS)



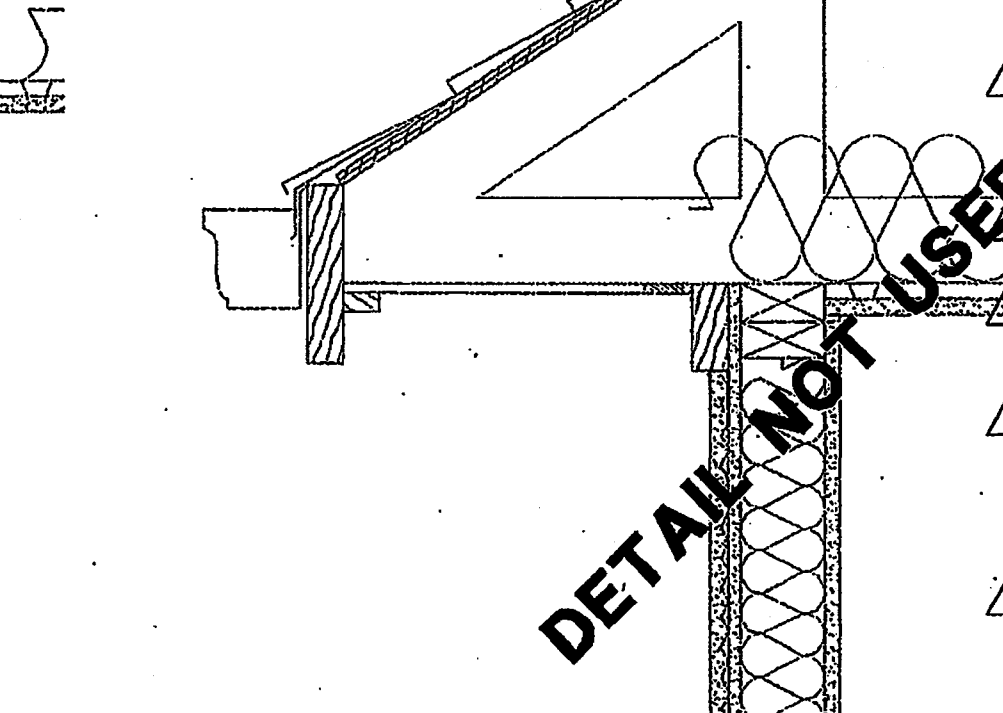
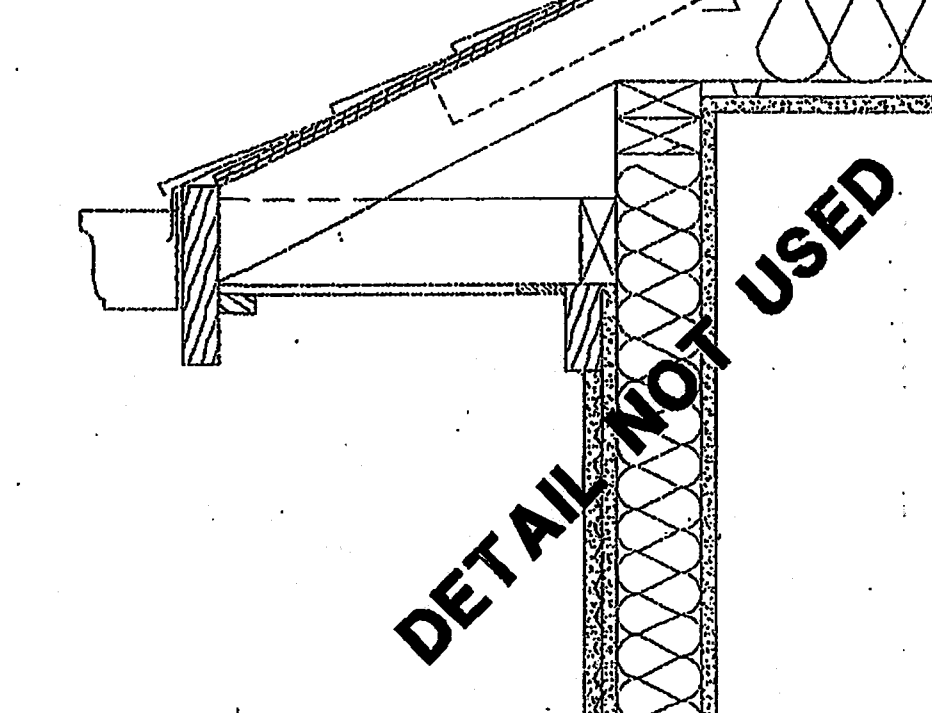
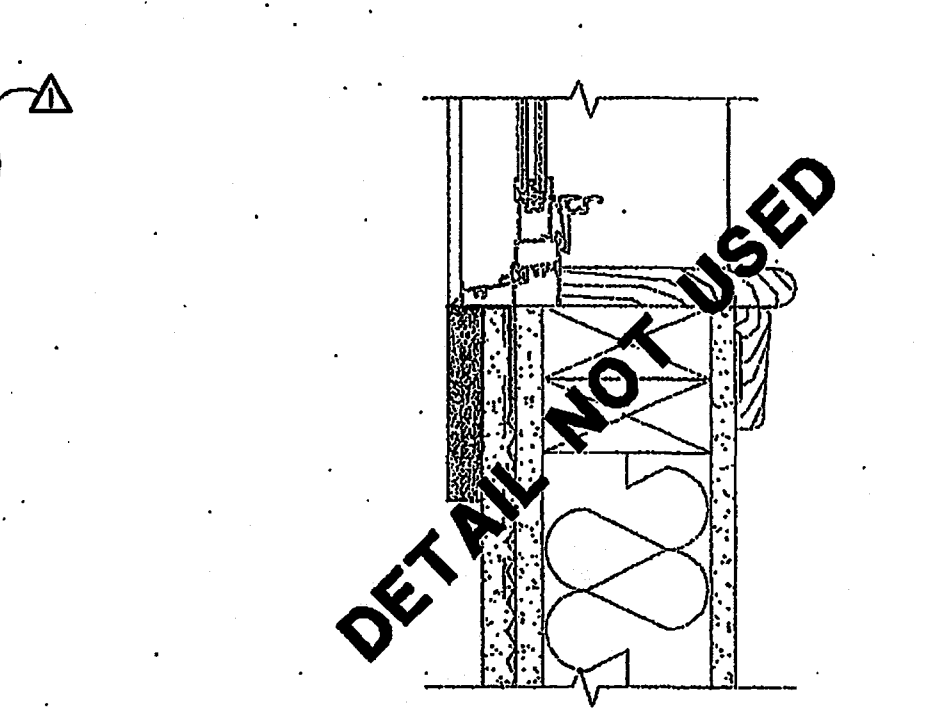
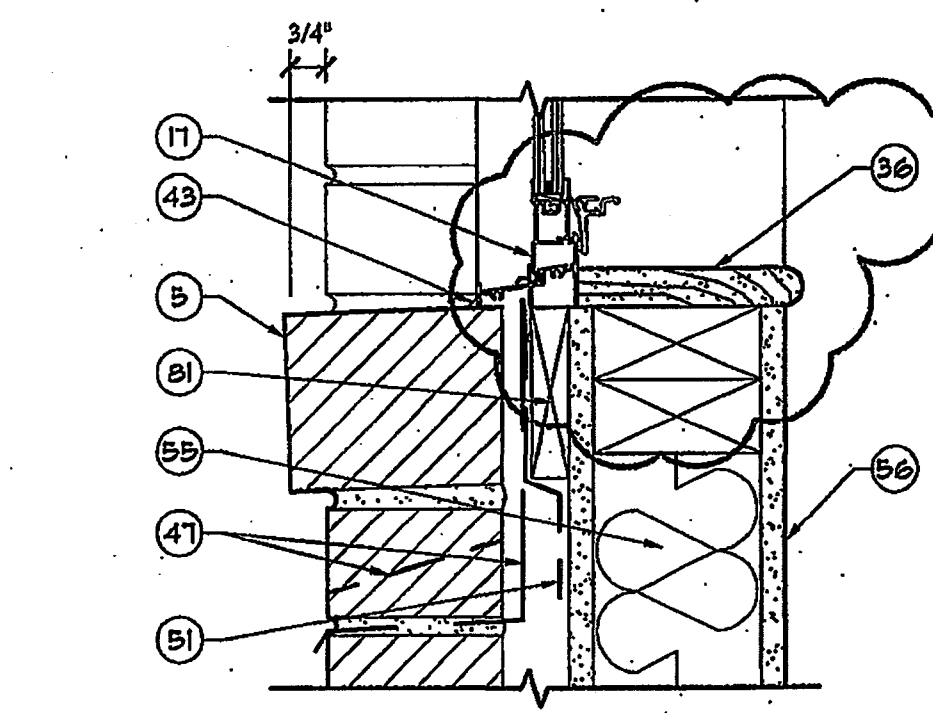
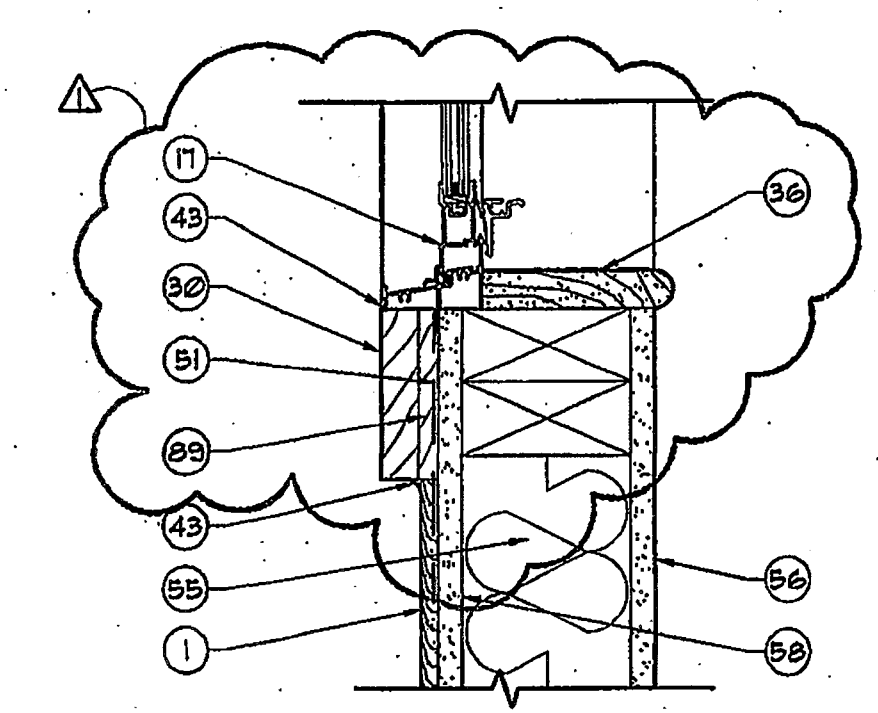
**6 WINDOW JAMB-Siding**  
A1.2 3" x 1'-0"  
(2x6 STUDS SIMILAR)

**7 WINDOW JAMB-Masonry**  
A1.2 3" x 1'-0"  
(SYNTHETIC STONE SIMILAR)  
(2x6 STUDS SIMILAR)

**8 WINDOW JAMB-Plaster**  
A1.2 3" x 1'-0"  
(2x6 STUDS SIMILAR)

**9 FASCIA AT MASONRY**  
A1.2 1 1/2" x 1'-0"  
(TOP CHORD BEARING TRUSS)

**10 FASCIA AT MASONRY**  
A1.2 1 1/2" x 1'-0"  
(BOTTOM CHORD BEARING TRUSS)



**11 WINDOW SILL-Siding**  
A1.2 3" x 1'-0"  
(2x6 STUDS SIMILAR)

**12 WINDOW SILL-Masonry**  
A1.2 3" x 1'-0"  
(SYNTHETIC STONE SIMILAR)  
(2x6 STUDS SIMILAR)

**13 WINDOW SILL-Plaster**  
A1.2 3" x 1'-0"  
(2x6 STUDS SIMILAR)

**14 FASCIA AT PLASTER**  
A1.2 1 1/2" x 1'-0"  
(TOP CHORD BEARING TRUSS)

**15 FASCIA AT PLASTER**  
A1.2 1 1/2" x 1'-0"  
(BOTTOM CHORD BEARING TRUSS)

- GENERAL NOTES:**
- Painted horizontal cementitious siding to be James Hardie "Sentry Woodgrain MF", sizes as noted. Butt siding to trim. Install over Moisture and Wind Barrier Building Wrap over 1/2" plywood sheathing.
  - All exterior fascia, casings and trim to be James Hardie "Harditrim HLD Rustic Grain" (3/4" thick) cementitious trim boards. Provide 1/16" Harditrim blocking behind window and door trim.
  - At masonry veneer, provide 1-layer of 30# felt membrane over 1/2" exterior plywood sheathing.
- TYPICAL SECTION NOTES:**  
(Shown with round targets, not all notes are used.)
- Painted cementitious (Hardie or equal) siding veneer.
  - Not used.
  - Not used.
  - Brick veneer with metal ties at 24" o.c. (horiz.) every 4th course.
  - Brick rowlock projected 3/4".
  - Not used.
  - Brick soldier projected 3/4".
  - Not used.
  - Not used.
  - Not used.
  - Composition shingles over 30# felt over 5/8" OSB Plywood deck, nailed to sheathing.
  - 24 GA. "Galvalume" Standing seam metal roof (12" expression) on 1-layer 30# felt over 5/8" OSB plywood roof deck, nailed to framing, (provide clips as required).
  - Prefinished metal gutter over 3" Harditrim HLD" (3/4" thk.) fascia, with downspouts to concrete splash block at grade.
  - Not used.
  - Not used.
  - Door, Re: Door Schedule.
  - Aluminum window frame, Re: Window Schedule.
  - Not used.
  - Not used.
  - Not used.
  - 6x Wd. Fl. trim.
  - 6x Wd. Fl. trim.
  - 6x Wd. Fl. trim.
  - 6x Wd. Fl. trim.
  - 6x Wd. Fl. trim.
  - 6x Wd. Fl. trim.
  - 2x Wd. Fl. trim.
  - 2x Wd. Fl. trim.
  - 1x4 Harditrim HLD" (3/4" thk.) painted trim.
  - 1x6 Harditrim HLD" (3/4" thk.) painted trim.
  - 1x6 Harditrim HLD" (3/4" thk.) painted trim.
  - 1x12 Harditrim HLD" (3/4" thk.) painted trim.
  - Not used.
  - Wd. Fl. base board: 3 1/2" high unless noted.
  - 3/4" x 4" synthetic marble sill.
  - Wd. Fl. door casing.
  - Wd. Fl. door frame.
  - Not used.
  - Not used.
  - Not used.
  - Wd. Fl. brick molding.
  - Caulk.
  - Fl. Mil. edge flashing with 1 1/2" turn down with drip edge.
  - Metal flashing.
  - Fl. Mil. "Z" flashing (run behind felt) at all window, door headers and at exposed horiz. trim conditions.
  - Flexible flashing with weep holes every third unit. Seal top of flashing w/ adhesive flashing tape at wall.
  - Backer rod and sealant.
  - Not used.
  - Aluminum threshold set in sealant.
  - Adhesive flashing tape (6" width).
  - Flexible waterproof membranes.
  - R-19 insulation.
  - Not used.
  - R-11 batt insulation.
  - 1/2" gypsum board.
  - Not used.
  - Sheathing: Moisture and Wind Barrier building wrap over 1/2" exterior plywood panels.
  - Not used.
  - Not used.
  - Vented aluminum soffit.
  - 2" wide continuous strip screened soffit vent.
  - Not used.
  - 3/4" T.G. plywood deck (3/4" T.G. OSB substitution is allowed).
  - Not used.
  - Not used.
  - Concrete foundation (Re: Structural).
  - Anchor bolts, (Re: Structural).
  - 2x4 plate (treated at base).
  - 2-2x4 top plate.
  - Not used.
  - Not used.
  - Not used.
  - Prefabricated roof trusses at 24" o.c. (Re: Structural).
  - Not used.
  - Steel Lintel, (Re: Structural).
  - Not used.
  - Framing header, (Re: Structural).
  - 2x4 framing, (Re: Structural).
  - Not used.
  - 1x4 wood blocking.
  - 2x4 wood blocking.
  - Wood blocking as required.
  - 2x4 @ 24" o.c.
  - Not used.
  - Not used.
  - Siding starter strip.
  - Insulation baffle.
  - Harditrim 1/16" (1/16" thk. x 3 1/2").
  - Harditrim 1/16" (1/16" thk. x 5 1/2").

AS BUILT ISSUE  
08-07-03

Copyright © 2001 The Barrington Group Incorporated

Project Architect  
**Ted Trout**  
Architect  
Florida Registration No. 0001692  
P.O. Box 420632  
Houston, Texas 77282  
Tel: (713) 918-4351  
Fax: (281) 531-4535

Design Consultant  
Murray & Associates  
14 West University  
Suite 700  
Gulf Breeze, FL 32561  
Tel: (904) 244-1111  
Fax: (904) 244-1111

**CAROLINA LANDINGS**  
At University Place  
Volusia County, Florida  
08/07/03

INITIAL PERMIT ISSUE	Date: 12-05-01
PERMIT ISSUE	Date: 12-16-01
PERMIT/PRICING REVISION	Date: 01-28-02
AS BUILT ISSUE	Date: 08-07-03
Date:	
Date:	
Date:	
Date:	

**A7.2**

P:\2001\_P\08A0130\_Carolina Landings\A7.2.dwg, 8/7/2003 2:13:33 PM, MW